



SERVICE MANUAL

SERVICE MANUAL

MODELS : T517C/T517CT

SERVICE MANUAL

T517C/T517CT

DVD VIDEO PLAYER

DVD VIDEO PLAYER

**T517C/T517CT/
T517AH/T517AHT**



**T517C/T517CT/
T517AH/T517AHT**
DVD VIDEO PLAYER

© NAD 2008

**NAD ELECTRONICS INTERNATIONAL
TORONTO**

CONTENTS

SECTION 1.....SUMMARY

SECTION 2.....CABINET & MAIN CHASSIS

SECTION 3.....ELECTRICAL

SECTION 4.....MECHANISM (DP-12V)

SECTION 5.....REPLACEMENT PARTS LIST

SECTION 1

SUMMARY

CONTENTS

PRODUCT SAFETY SERVICING GUIDELINES FOR DVD PRODUCTS.....	1-3
SERVICING PRECAUTIONS.....	1-4
• GENERAL SERVICING PRECAUTIONS	
• INSULATION CHECKING PRODEDURE	
• ELECTROSTATICALLY SENSITIVE (ES) DEVICES	
THE PROCESS OF DISC DOWNLOAD.....	1-5
SPECIFICATIONS.....	1-7

PRODUCT SAFETY SERVICING GUIDELINES FOR DVD PRODUCTS

IMPORTANT SAFETY NOTICE

This manual was prepared for use only by properly trained audio-video service technicians.

When servicing this product, under no circumstances should the original design be modified or altered without permission from NAD. All components should be replaced only with types identical to those in the original circuit and their physical location, wiring and lead dress must conform to original layout upon completion of repairs.

Special components are also used to prevent x-radiation, shock and fire hazard.

These components are indicated by the letter "x" included in their component designators and are required to maintain safe performance. No deviations are allowed without prior approval by NAD.

Circuit diagrams may occasionally differ from the actual circuit used. This way, implementation of the latest safety and performance improvement changes into the set are not delayed until the new service literature is printed.

CAUTION: Do not attempt to modify this product in any way. Never perform customized installations without manufacturer's approval. Unauthorized modifications will not only void the warranty, but may lead to property damage or user injury.

Service work should be performed only after you are thoroughly familiar with these safety checks and servicing guidelines.

GRAPHIC SYMBOLS



The exclamation point within an equilateral triangle is intended to alert the service personnel to important safety information in the service literature.



The lightning flash with arrowhead symbol within an equilateral triangle is intended to alert the service personnel to the presence of noninsulated "dangerous voltage" that may be of sufficient magnitude to constitute a risk of electric shock.



The pictorial representation of a fuse and its rating within an equilateral triangle is intended to convey to the service personnel the following fuse replacement caution notice:

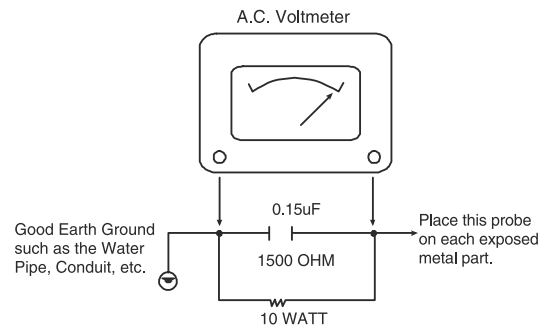
CAUTION: FOR CONTINUED PROTECTION AGAINST RISK OF FIRE, REPLACE ALL FUSES WITH THE SAME TYPE AND RATING AS MARKED NEAR EACH FUSE.

SERVICE INFORMATION

While servicing, use an isolation transformer for protection from AC line shock. After the original service problem has been corrected, make a check of the following:

FIRE AND SHOCK HAZARD

1. Be sure that all components are positioned to avoid a possibility of adjacent component shorts. This is especially important on items transported to and from the repair shop.
2. Verify that all protective devices such as insulators, barriers, covers, shields, strain reliefs, power supply cords, and other hardware have been reinstalled per the original design. Be sure that the safety purpose of the polarized line plug has not been defeated.
3. Soldering must be inspected to discover possible cold solder joints, solder splashes, or sharp solder points. Be certain to remove all loose foreign particles.
4. Check for physical evidence of damage or deterioration to parts and components, for frayed leads or damaged insulation (including the AC cord), and replace if necessary.
5. No lead or component should touch a high current device or a resistor rated at 1 watt or more. Lead tension around protruding metal surfaces must be avoided.
6. After reassembly of the set, always perform an AC leakage test on all exposed metallic parts of the cabinet (the channel selector knobs, antenna terminals, handle and screws) to be sure that set is safe to operate without danger of electrical shock. **DO NOT USE A LINE ISOLATION TRANSFORMER DURING THIS TEST.** Use an AC voltmeter having 5000 ohms per volt or more sensitivity in the following manner: Connect a 1500 ohm, 10 watt resistor, paralleled by a .15 mfd 150V AC type capacitor between a known good earth ground water pipe, conduit, etc.) and the exposed metallic parts, one at a time. Measure the AC voltage across the combination of 1500 ohm resistor and .15 mfd capacitor. Reverse the AC plug by using a non-polarized adaptor and repeat AC voltage measurements for each exposed metallic part. Voltage measured must not exceed 0.75 volts RMS. This corresponds to 0.5 milliamp AC. Any value exceeding this limit constitutes a potential shock hazard and must be corrected immediately.



TIPS ON PROPER INSTALLATION

1. Never install any receiver in a closed-in recess, cubbyhole, or closely fitting shelf space over, or close to, a heat duct, or in the path of heated air flow.
2. Avoid conditions of high humidity such as: outdoor patio installations where dew is a factor, near steam radiators where steam leakage is a factor, etc.
3. Avoid placement where draperies may obstruct venting. The customer should also avoid the use of decorative scarves or other coverings that might obstruct ventilation.
4. Wall- and shelf-mounted installations using a commercial mounting kit must follow the factory-approved mounting instructions. A product mounted to a shelf or platform must retain its original feet (or the equivalent thickness in spacers) to provide adequate air flow across the bottom. Bolts or screws used for fasteners must not touch any parts or wiring. Perform leakage tests on customized installations.
5. Caution customers against mounting a product on a sloping shelf or in a tilted position, unless the receiver is properly secured.
6. A product on a roll-about cart should be stable in its mounting to the cart. Caution the customer on the hazards of trying to roll a cart with small casters across thresholds or deep pile carpets.
7. Caution customers against using extension cords. Explain that a forest of extensions, sprouting from a single outlet, can lead to disastrous consequences to home and family.

SERVICING PRECAUTIONS

CAUTION: Before servicing the DVD covered by this service data and its supplements and addends, read and follow the SAFETY PRECAUTIONS. NOTE: if unforeseen circumstances create conflict between the following servicing precautions and any of the safety precautions in this publication, always follow the safety precautions.

Remember Safety First :

General Servicing Precautions

1. Always unplug the DVD AC power cord from the AC power source before:

- (1) Removing or reinstalling any component, circuit board, module, or any other assembly.
- (2) Disconnecting or reconnecting any internal electrical plug or other electrical connection.
- (3) Connecting a test substitute in parallel with an electrolytic capacitor.

Caution: A wrong part substitution or incorrect polarity installation of electrolytic capacitors may result in an explosion hazard.

2. Do not spray chemicals on or near this DVD or any of its assemblies.

3. Unless specified otherwise in this service data, clean electrical contacts by applying an appropriate contact cleaning solution to the contacts with a pipe cleaner, cotton-tipped swab, or comparable soft applicator.

Unless specified otherwise in this service data, lubrication of contacts is not required.

4. Do not defeat any plug/socket B+ voltage interlocks with which instruments covered by this service manual might be equipped.

5. Do not apply AC power to this DVD and / or any of its electrical assemblies unless all solid state device heat sinks are correctly installed.

6. Always connect the test instrument ground lead to an appropriate ground before connecting the test instrument positive lead. Always remove the test instrument ground lead last.

Insulation Checking Procedure

Disconnect the attachment plug from the AC outlet and turn the power on. Connect an insulation resistance meter (500V) to the blades of the attachment plug. The insulation resistance between each blade of the attachment plug and accessible conductive parts (Note 1) should be more than 1Mohm.

Note 1: Accessible Conductive Parts include Metal panels, Input terminals, Earphone jacks, etc.

Electrostatically Sensitive (ES) Devices

Some semiconductor (solid state) devices can be damaged easily by static electricity. Such components commonly are called Electrostatically Sensitive (ES) Devices. Examples of typical ES devices are integrated circuits and some field effect transistors and semiconductor chip components.

The following techniques should be used to help reduce the incidence of component damage caused by static electricity.

1. Immediately before handling any semiconductor component or semiconductor-equipped assembly, drain off any electrostatic charge on your body by touching a known earth ground. Alternatively, obtain and wear a commercially available discharging wrist strap device, which should be removed for potential shock reasons prior to applying power to the unit under test.

2. After removing an electrical assembly equipped with ES devices, place the assembly on a conductive surface such as aluminum foil, to prevent electrostatic charge buildup or exposure of the assembly.

3. Use only a grounded-tip soldering iron to solder or unsolder ES devices.

4. Use only an anti-static solder removal device. Some solder removal devices not classified as "anti-static" can generate electrical charges sufficient to damage ES devices.

5. Do not use freon-propelled chemicals. These can generate an electrical charge sufficient to damage ES devices.

6. Do not remove a replacement ES device from its protective package until immediately before you are ready to install it. (Most replacement ES devices are packaged with leads electrically shorted together by conductive foam, aluminum foil, or comparable conductive material).

7. Immediately before removing the protective material from the leads of a replacement ES device, touch the protective material to the chassis or circuit assembly into which the device will be installed.

Caution: Be sure no power is applied to the chassis or circuit, and observe all other safety precautions.

8. Minimize bodily motions when handling unpackaged replacement ES devices. (Normally harmless motion such as the brushing together of your clothes fabric or the lifting of your foot from a carpeted floor can generate static electricity sufficient to damage an ES device.)

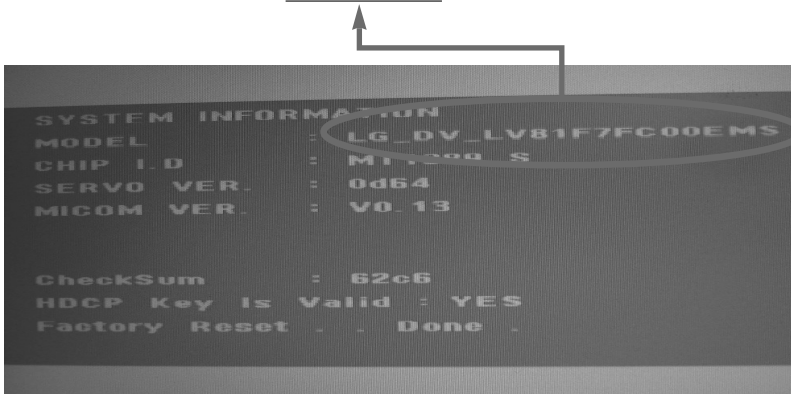
THE PROCESS OF DISC DOWNLOAD

Please follow the below process to download a program with disc

1. Turn on the DVD-player.
(Note. Be sure that there is no disc in DVD-player)
2. Press "SETUP" button on Remote control.
3. Choose a "**display**" menu by using the cursor button and then choose a "**TV Aspect**" menu. And choose "**16:9**" menu.

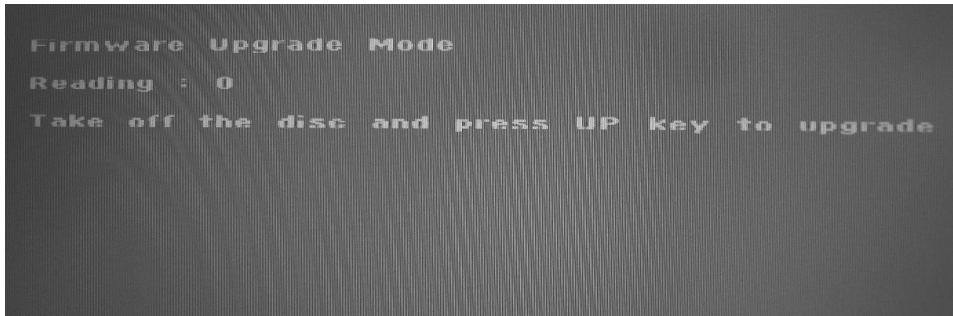


4. Press the 1 --> 3 --> 9 --> 7 --> 1 --> 3 --> 9(numerical button) --> Enter key on remote control to confirm the system information.
5. Remember or write the **model name**.

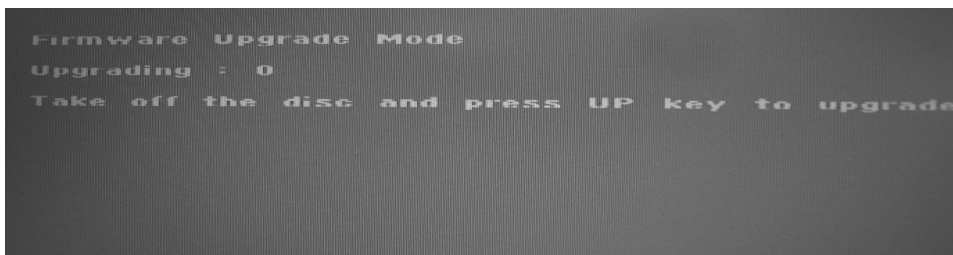


6. Change the program file name of new version to the model name
Ex> New ver. program file->LG_DV_LV80F7FC10EMSMIS_V014.ROM
Model name -> LG_DV_LV81F7FC00EMS
Change New ver. program file like this --> LG_DV_LV81F7FC00EMSMIS.ROM
(NOTICE) You must add "MIS" at the end of model name
If you don't change the file name like that, Disc download isn't be worked.

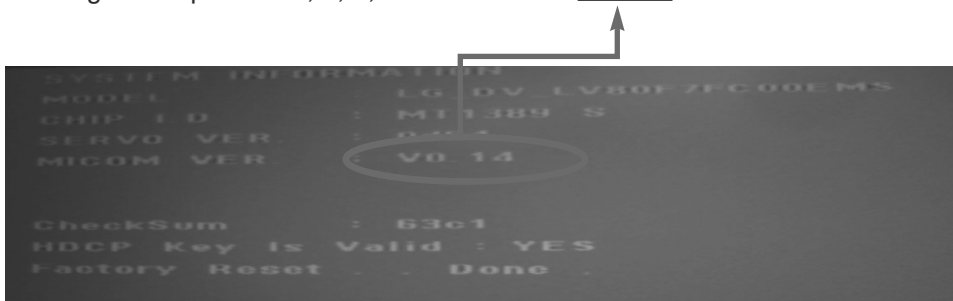
7. Copy the changed file to a disc.
8. Insert the copied disc to DVD-player.
9. If the below picture appears on the screen, Press “▲” key.



10. After the below picture appears on the screen, Disc will emerge from DVD-player automatically. Take the disc out of the DVD-player.



11. After Disc download is completed, DVD-player turns off and then turns on automatically.
12. Do it again the process 1, 2, 3, 4 to confirm the version.



SPECIFICATIONS

• GENERAL

Power requirements:	AC 100 V ~ 240 V, 50 Hz / 60 Hz
Power consumption:	9 W
Dimensions (Approx.):	430 x 39 x 192 mm (17 x 1.5 x 7.6 inches) (W x H x D) without foot
Net weight (Approx.):	1.5 kg (3.3 lbs)
Operating temperature:	5 °C to 35 °C (41 °F to 95 °F)
Operating humidity:	5 % to 90 %

• OUTPUTS

VIDEO OUTPUT:	1.0 V (p-p), 75 Ω, sync negative, RCA jack x 1 / Scart (to TV)
S-VIDEO OUTPUT:	(Y) 1.0 V (p-p), 75 Ω, negative sync, Mini DIN 4-pin x 1 (C) 0.3 V (p-p) 75 Ω
COMPONENT VIDEO OUTPUT:	(Y) 1.0 V (p-p), 75 Ω, negative sync, RCA jack x 1 (Pb)/(Pr) 0.7 V (p-p), 75 Ω, RCA jack x 2
HDMI OUTPUT (Video/Audio):	19 pin (HDMI standard, Type A)
AUDIO OUTPUT:	2.0 Vrms (1 kHz, 0 dB), 600 Ω, RCA jack (L, R) x 1 / Scart (to TV)
DIGITAL AUDIO OUTPUT:	COAXIAL: 0.5 V (p-p), 75 Ω, RCA jack x 1 OPTICAL: 3 V (p-p), Optical jack x 1

• SYSTEM

Laser:	Semiconductor laser, wavelength 650 nm
Signal system:	PAL
Frequency response:	DVD (PCM 96 kHz): 8 Hz to 44 kHz DVD (PCM 48 kHz): 8 Hz to 22 kHz CD: 8 Hz to 20 kHz
Signal-to-noise ratio:	More than 90 dB (ANALOG OUT connectors only)
Harmonic distortion:	Less than 0.02 %
Dynamic range:	More than 95 dB (DVD/CD)

MEMO

A series of horizontal dotted lines for writing.

SECTION 2
CABINET & MAIN CHASSIS

CONTENTS

EXPLODED VIEWS2-2

- 1. CABINET AND MAIN FRAME SECTION2-2
- 2. DECK MECHANISM SECTION (DP-12V).....2-3
- 3. PACKING ACCESSORY SECTION.....2-4

EXPLODED VIEWS

1. CABINET AND MAIN FRAME SECTION

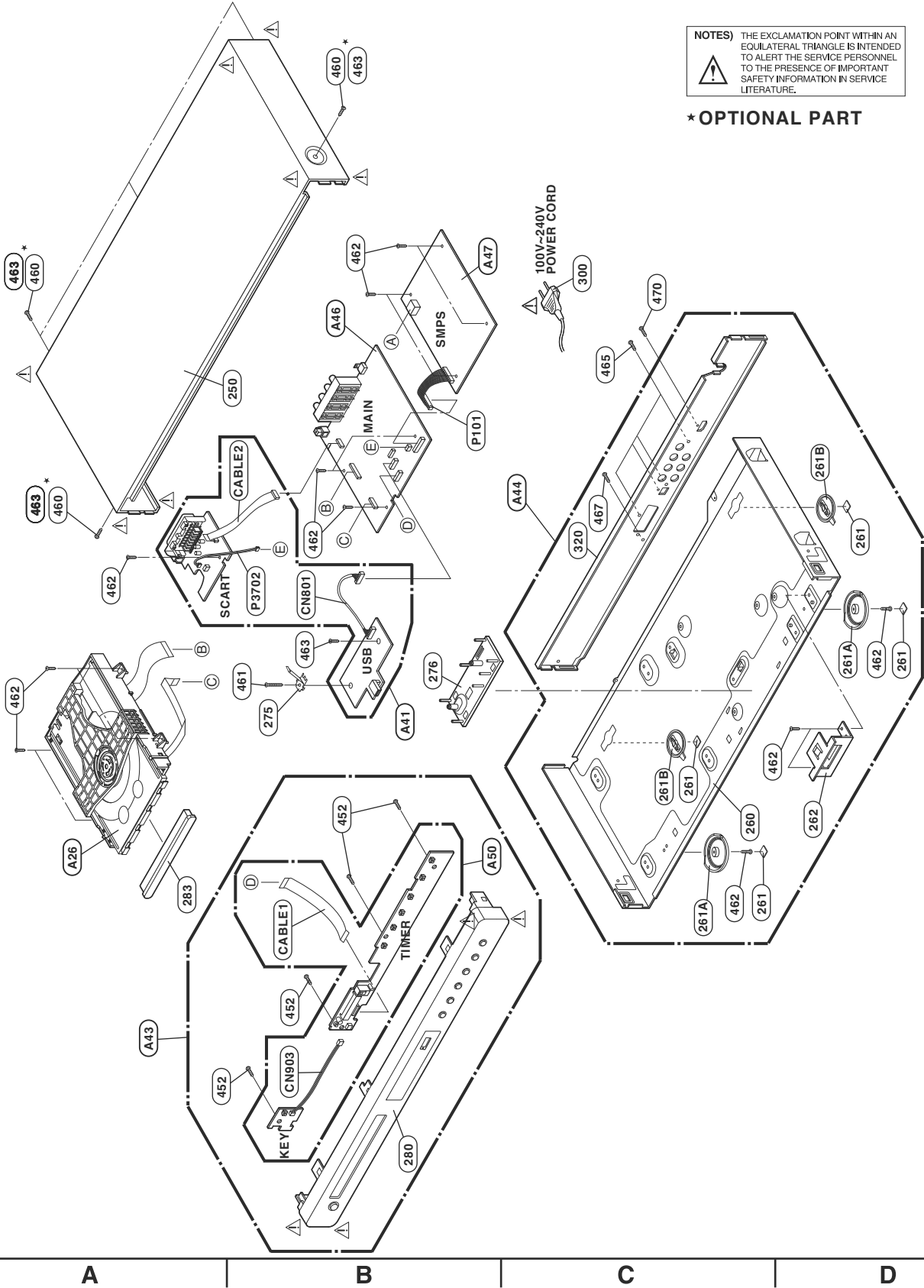
5

4

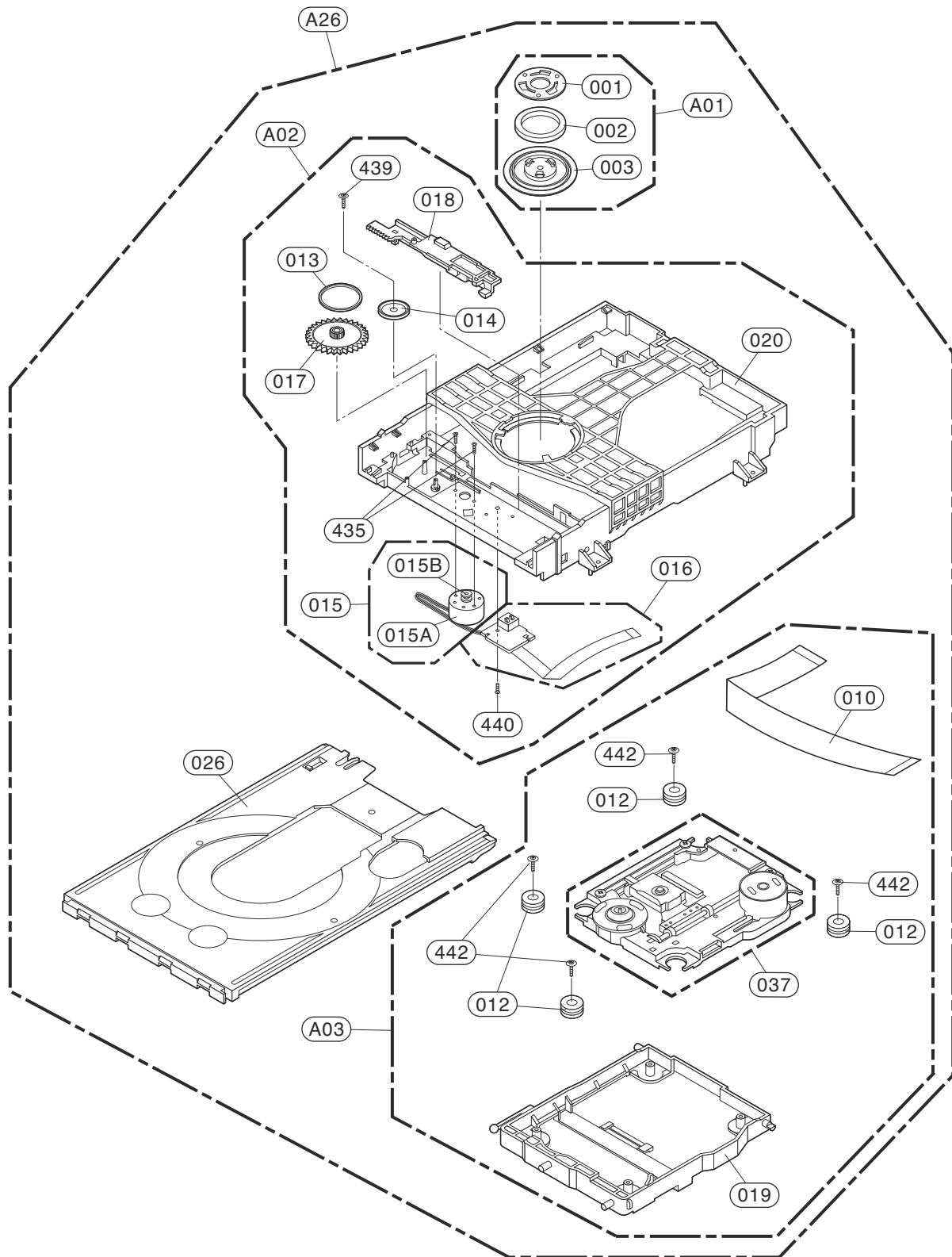
3

2

1

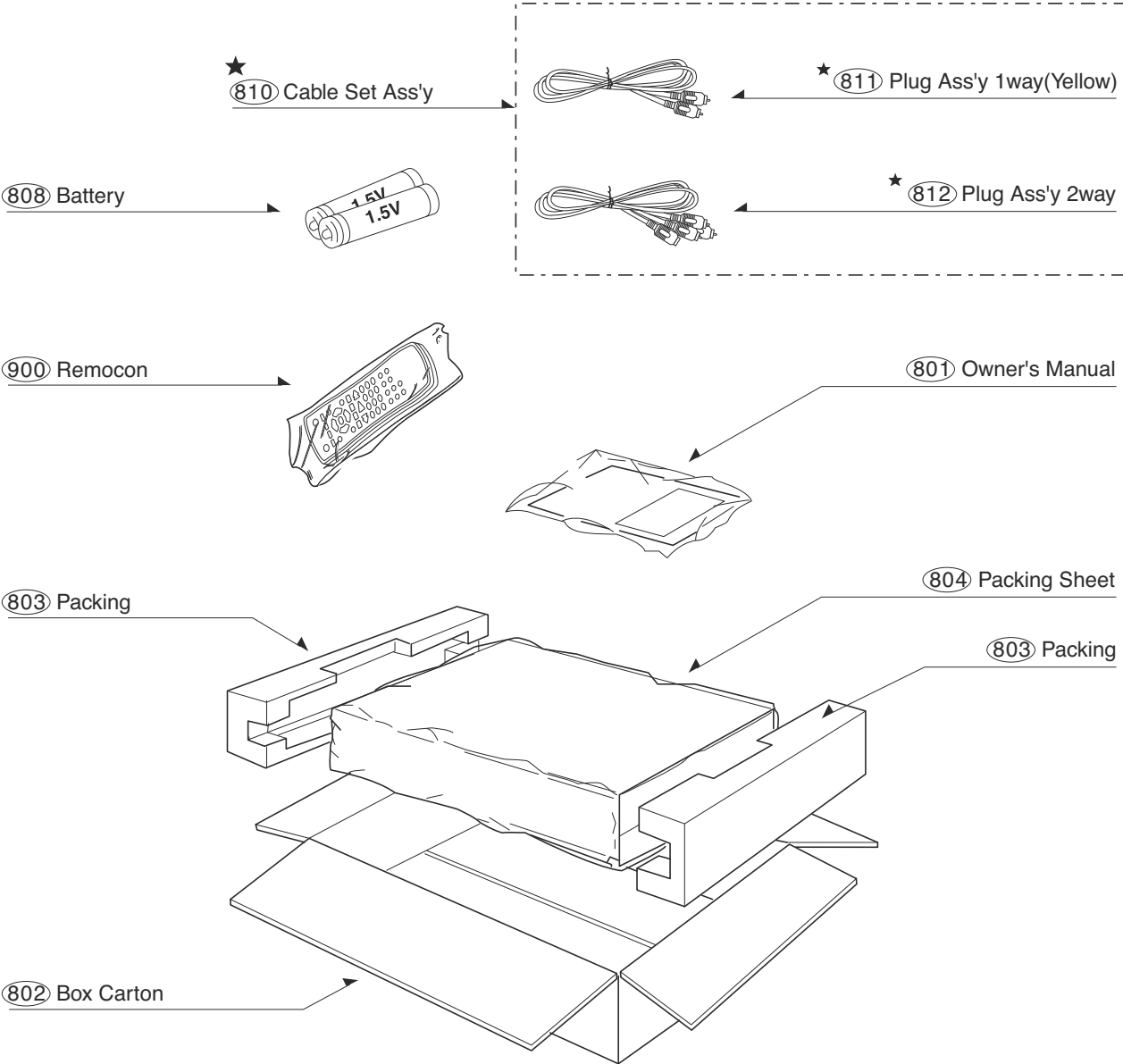


2. DECK MECHANISM SECTION (DP-12V)



3. PACKING ACCESSORY SECTION

★ OPTIONAL PARTS



SECTION 3

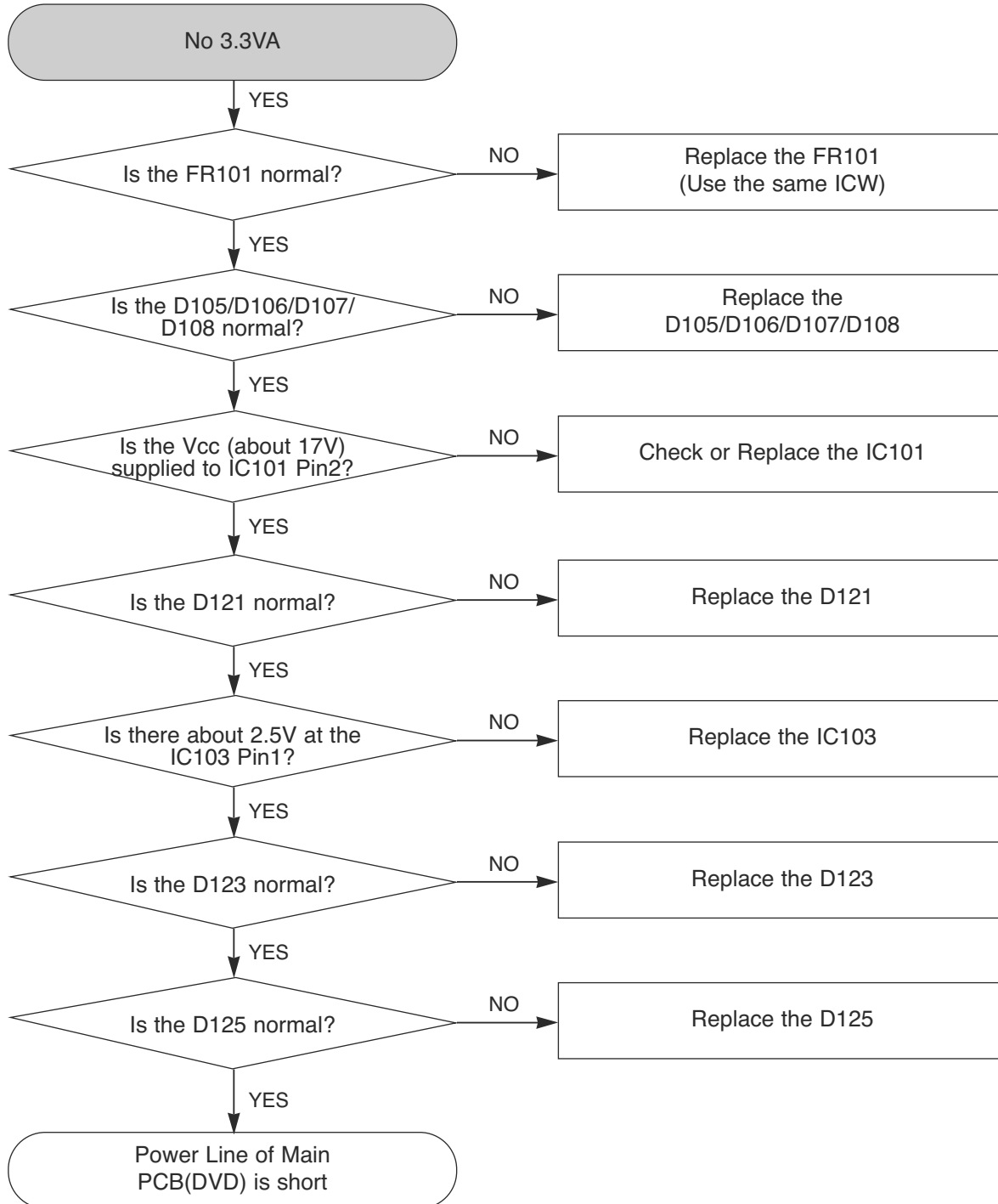
ELECTRICAL

CONTENTS

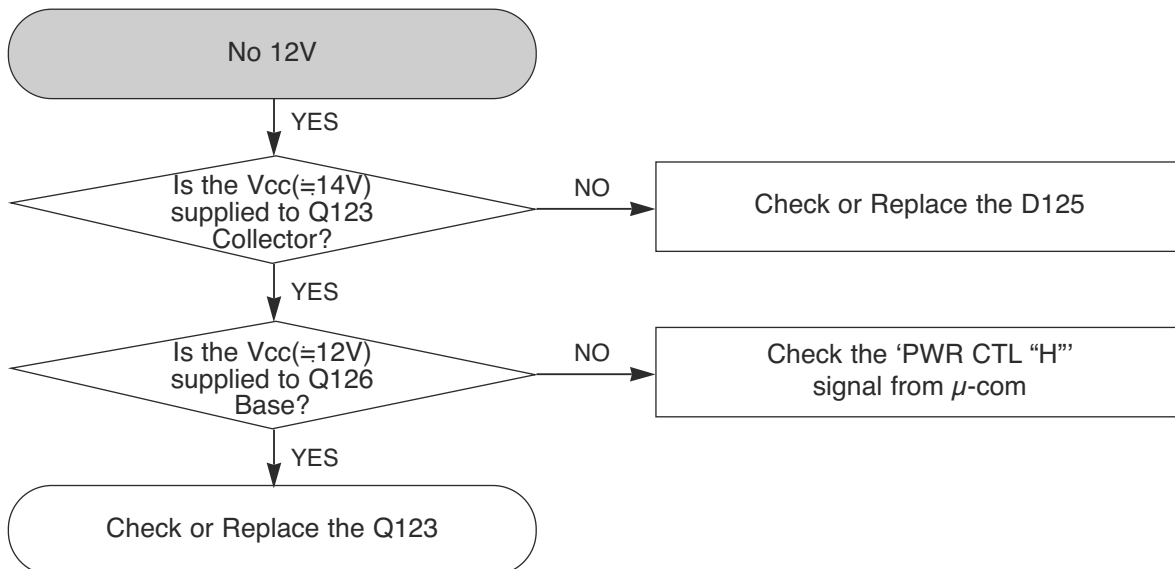
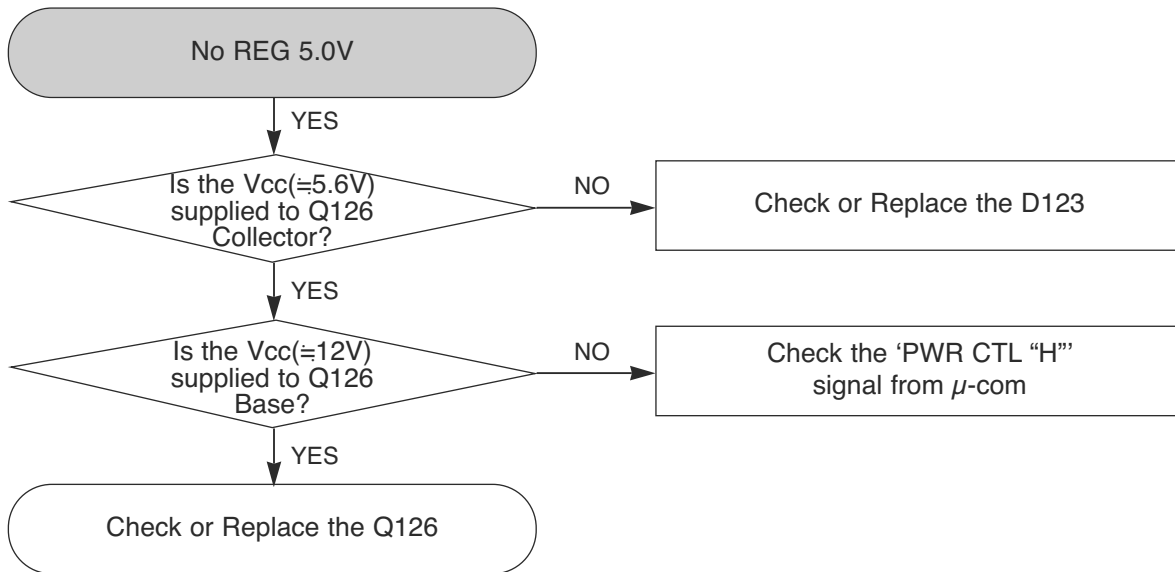
ELECTRICAL TROUBLESHOOTING GUIDE	3-2
1. SMPS TROUBLESHOOTING FLOW	3-2
2. POWER CHECK FLOW	3-4
3. SYSTEM OPERATION FLOW.....	3-5
4. SYSTEM TEST FLOW	3-6
DETAILS AND WAVEFORMS ON SYSTEM TEST AND DEBUGGIBG	3-12
1. SYSTEM 27MHZ CLOCK, RESET, FLASH R/W SIGNAL	3-12
2. SDRAM CLOCK	3-14
3. TRAY OPEN/CLOSE SIGNAL.....	3-14
4. SLED CONTROL RELATED SIGNAL (NO DISC CONDITION).....	3-15
5. LENS CONTROL RELATED SIGNAL (NO DISC CONDITION)	3-15
6. LASER POWER CONTROL RELATED SIGNAL (NO DISC CONDITION)	3-16
7. DISC TYPE JUDGEMENT WAVEFORM.....	3-16
8. FOCUS ON WAVEFORM	3-18
9. SPINDLE CONTROL WAVEFORM (NO DISC CONDITION)	3-19
10. TRACKING CONTROL RELATED SIGNAL (SYSTEM CHECKING).....	3-20
11. MT1389S AUDIO OPTICAL AND COAXIAL OUTPUT (SPDIF)	3-21
12. MT1389S VIDEO OUTPUT WAVEFORM	3-21
13. AUDIO OUTPUT FROM MT1389S.....	3-22
CONNECTOR PICTURE	3-23
1. ALL CONNECTOR PICTURE	3-23
2. MAIN BOARD CONNECTOR PICTURE	3-24
3. CN201 CONNECTOR PICTURE	3-25
4. CN202 CONNECTOR PICTURE.....	3-25
5. CN601 CONNECTOR PICTURE.....	3-26
6. CN602 CONNECTOR PICTURE.....	3-26
7. CN604 CONNECTOR PICTURE.....	3-27
8. CN605 CONNECTOR PICTURE.....	3-27
9. CN705 CONNECTOR PICTURE.....	3-28
BLOCK DIAGRAMS	3-29
1. OVERALL BLOCK DIAGRAM	3-29
2. POWER (SMPS) BLOCK DIAGRAM.....	3-30
3. MPEG & MEMORY BLOCK DIAGRAM.....	3-31
4. SERVO BLOCK DIAGRAM	3-32
5. VIDEO & HDMI BLOCK DIAGRAM.....	3-33
6. AUDIO BLOCK DIAGRAM.....	3-34
CIRCUIT DIAGRAMS	3-35
1. POWER (SMPS) CIRCUIT DIAGRAM	3-35
2. MPEG CIRCUIT DIAGRAM.....	3-37
3. SERVO CIRCUIT DIAGRAM	3-39
4. JACK CIRCUIT DIAGRAM	3-41
5. SCART CIRCUIT DIAGRAM (OPTION)	3-43
6. USB CIRCUIT DIAGRAM	3-45
7. KEY CIRCUIT DIAGRAM	3-46
8. TIMER CIRCUIT DIAGRAM	3-47
• CIRCUIT VOLTAGE CHART	3-49
PRINTED CIRCUIT BOARD DIAGRAMS	3-53
1. MAIN P.C.BOARD.....	3-53
2. POWER (SMPS) P.C.BOARD	3-55
3. KEY P.C.BOARD	3-55
4. TIMER P.C.BOARD	3-55
5. SCART P.C.BOARD (OPTION)	3-57
6. USB P.C.BOARD	3-57

ELECTRICAL TROUBLESHOOTING GUIDE

1. SMPS TROUBLESHOOTING FLOW

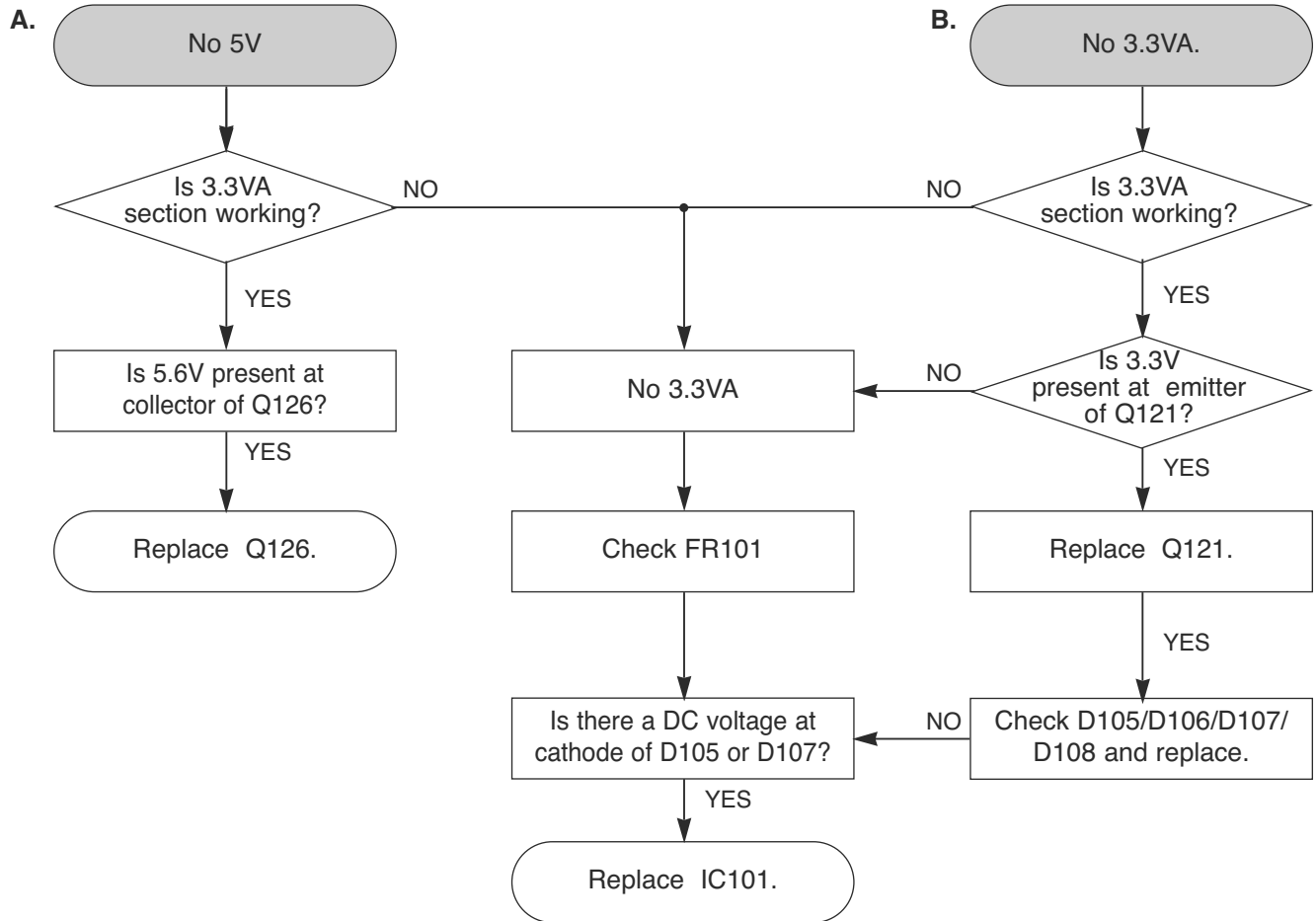


ELECTRICAL TROUBLESHOOTING GUIDE



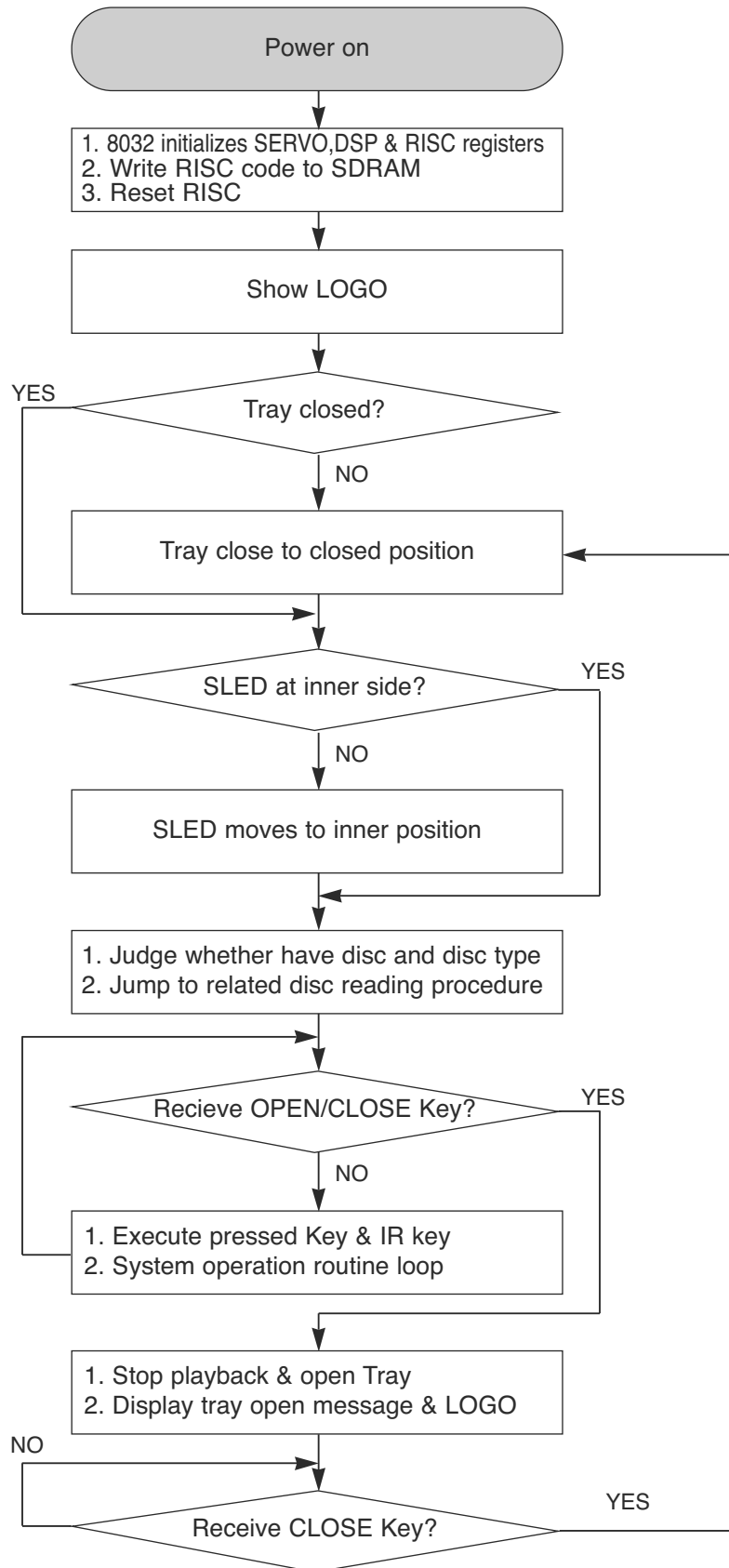
ELECTRICAL TROUBLESHOOTING GUIDE

2. POWER CHECK FLOW



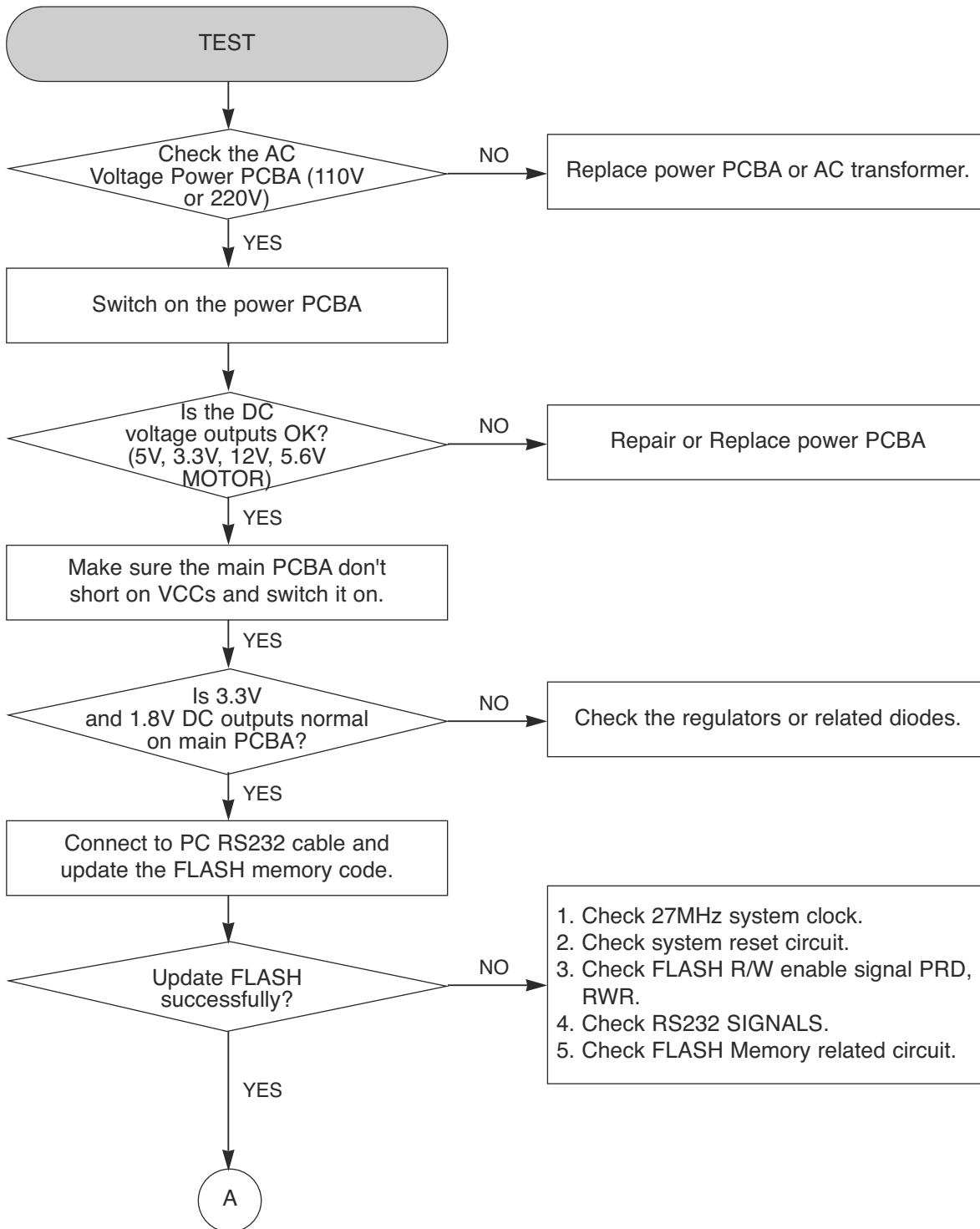
ELECTRICAL TROUBLESHOOTING GUIDE

3. SYSTEM OPERATION FLOW

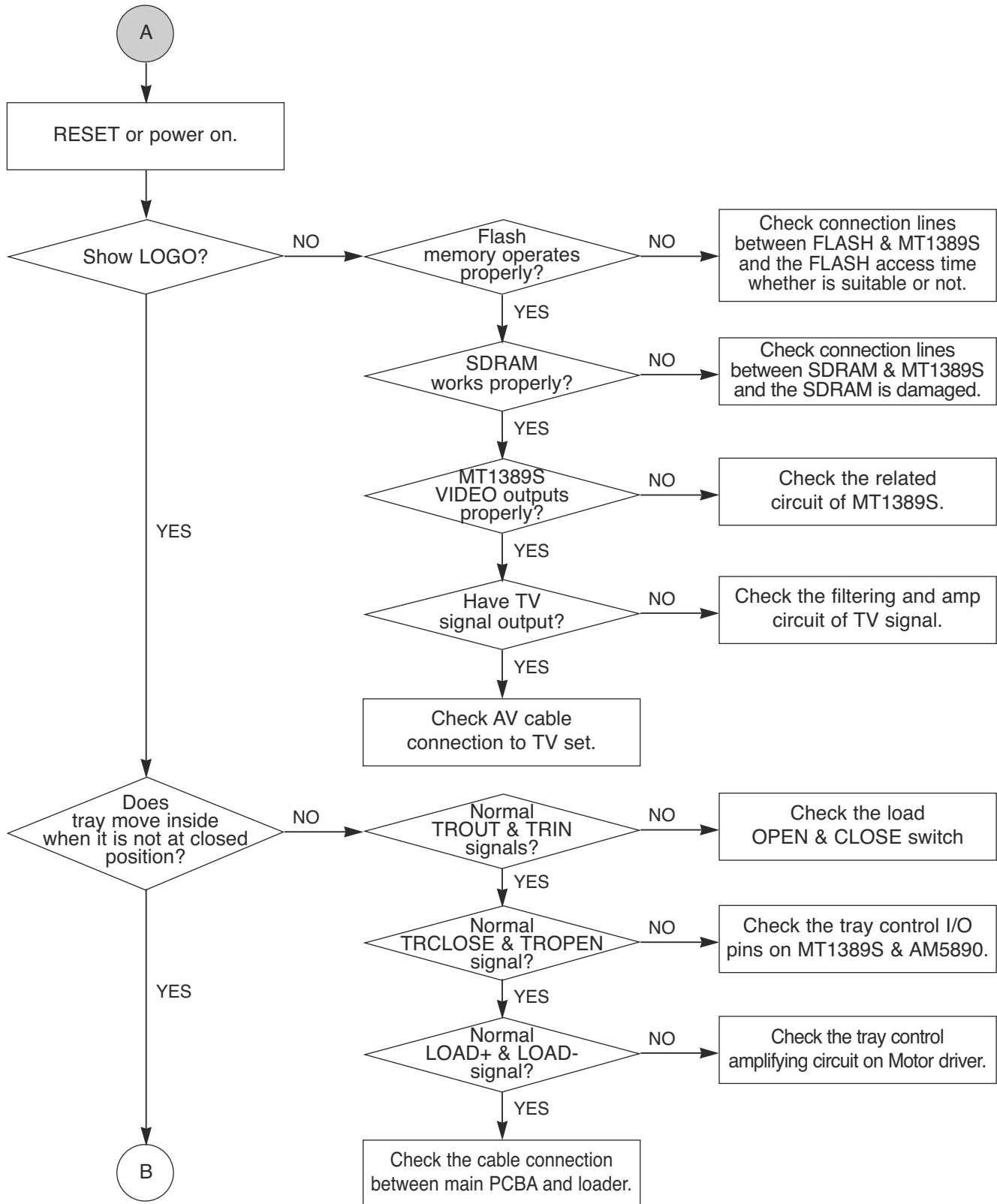


ELECTRICAL TROUBLESHOOTING GUIDE

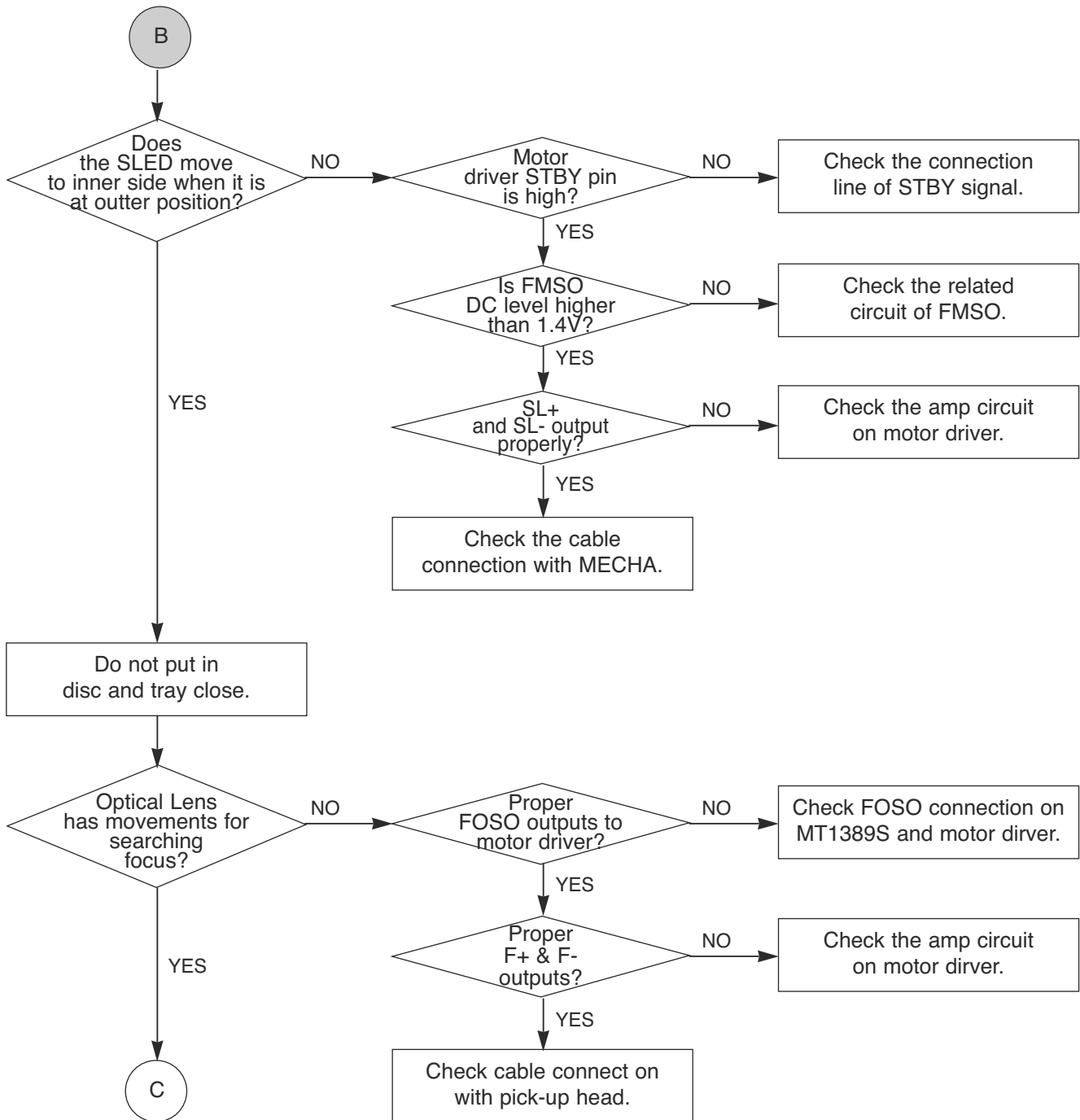
4. SYSTEM TEST FLOW



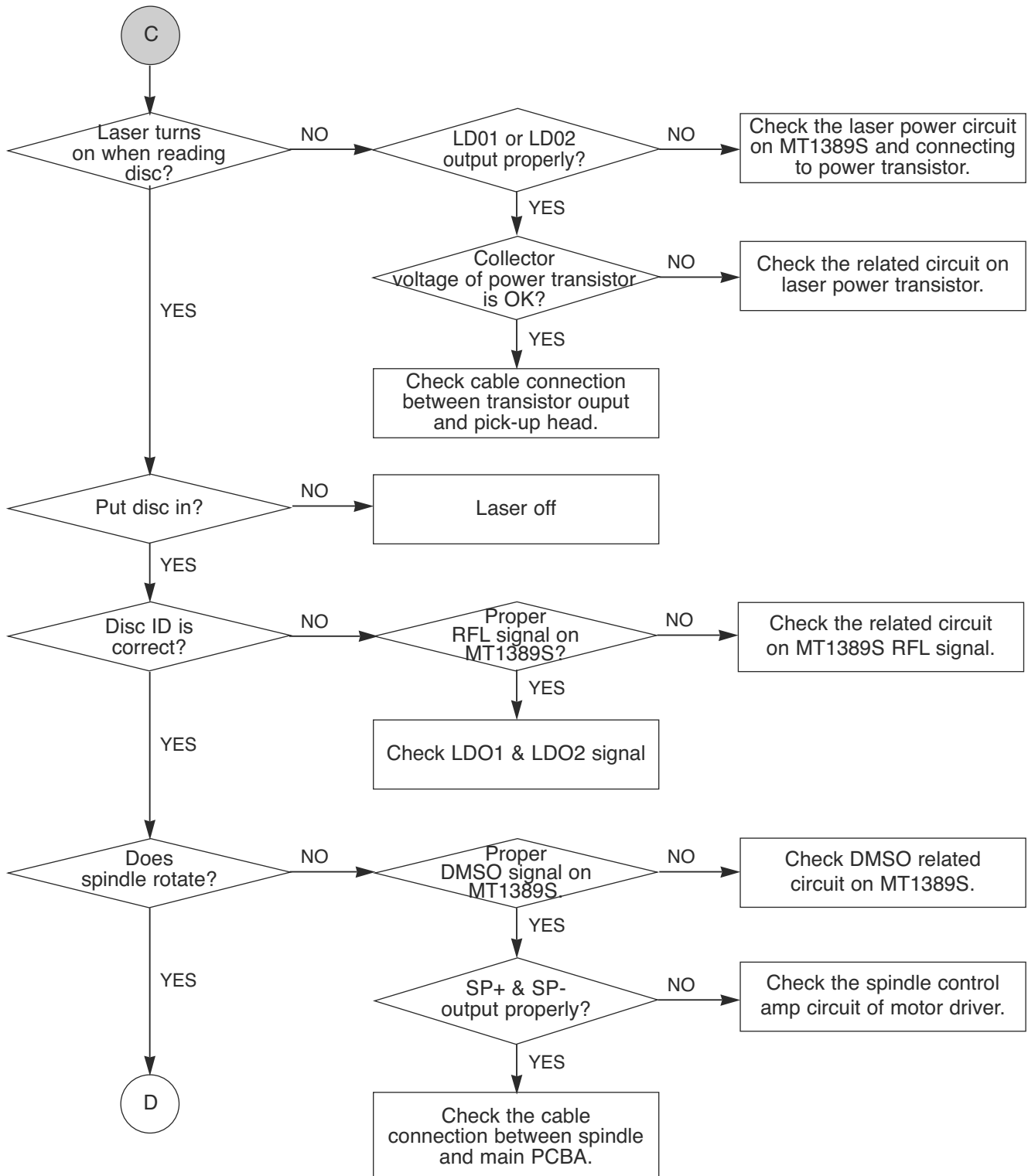
ELECTRICAL TROUBLESHOOTING GUIDE



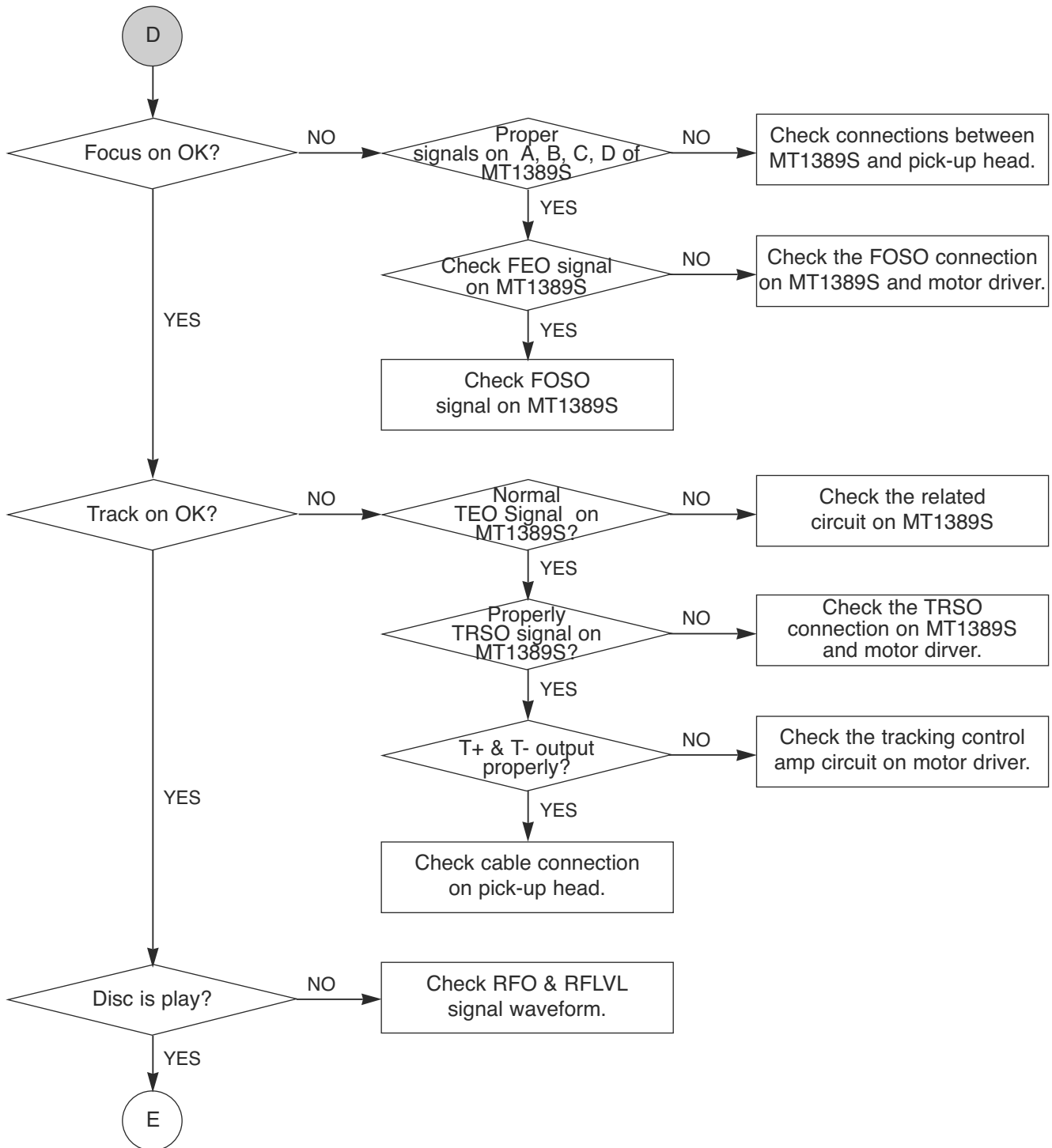
ELECTRICAL TROUBLESHOOTING GUIDE



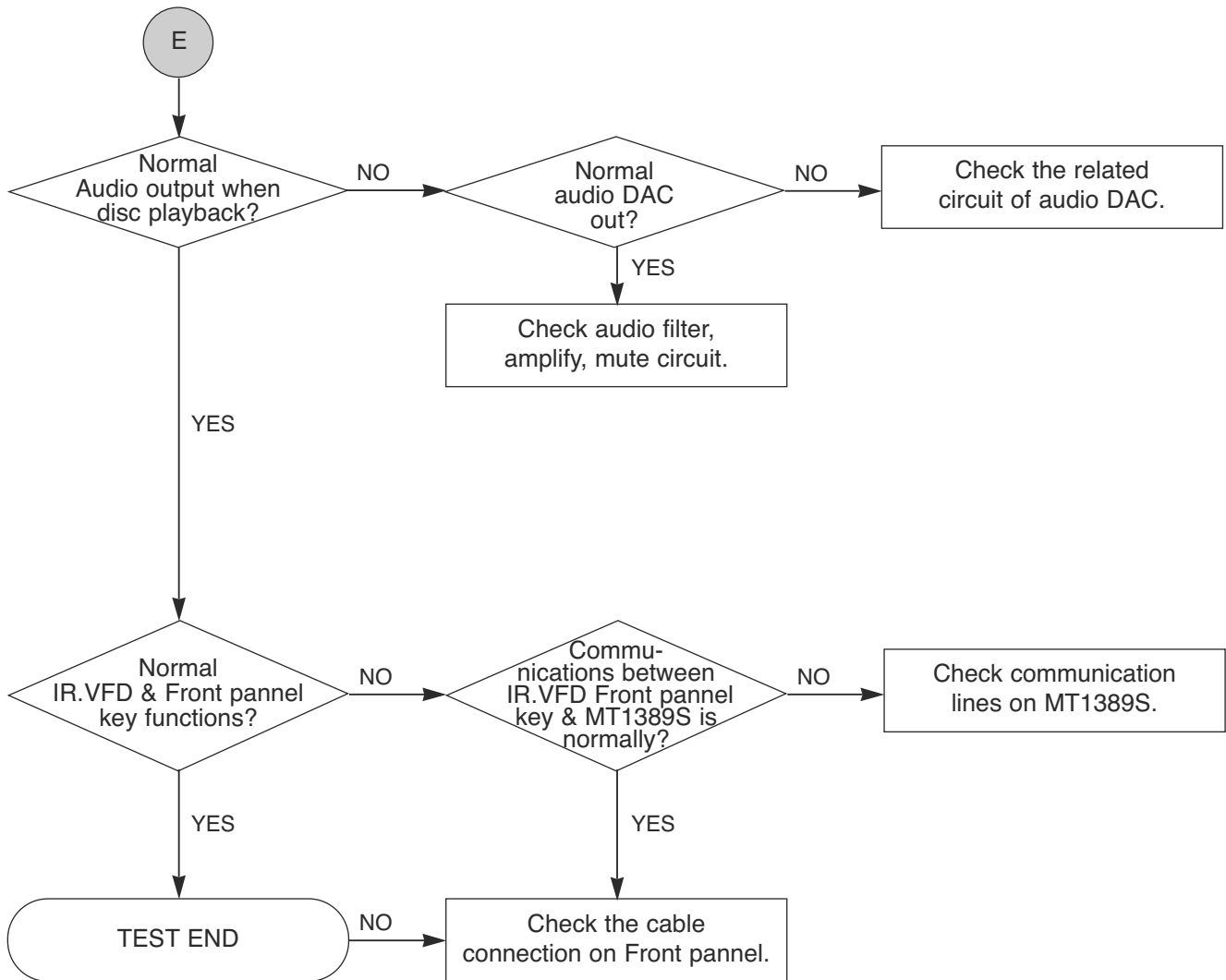
ELECTRICAL TROUBLESHOOTING GUIDE



ELECTRICAL TROUBLESHOOTING GUIDE



ELECTRICAL TROUBLESHOOTING GUIDE



DETAILS AND WAVEFORMS ON SYSTEM TEST AND DEBUGGIBG

1. SYSTEM 27MHz CLOCK, RESET, FLASH R/W SIGNAL

1) MT1389S main clock is at 27MHz (X601)

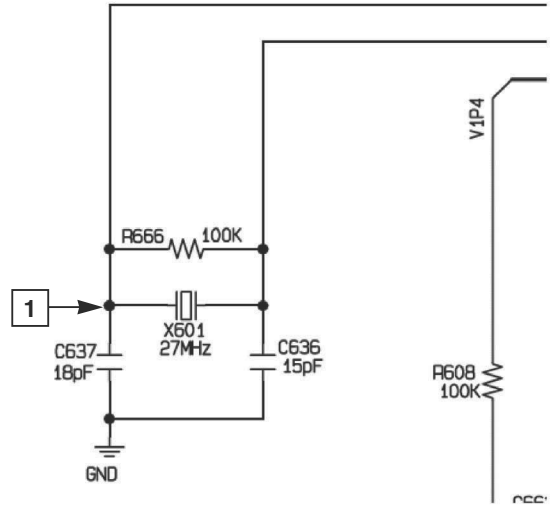
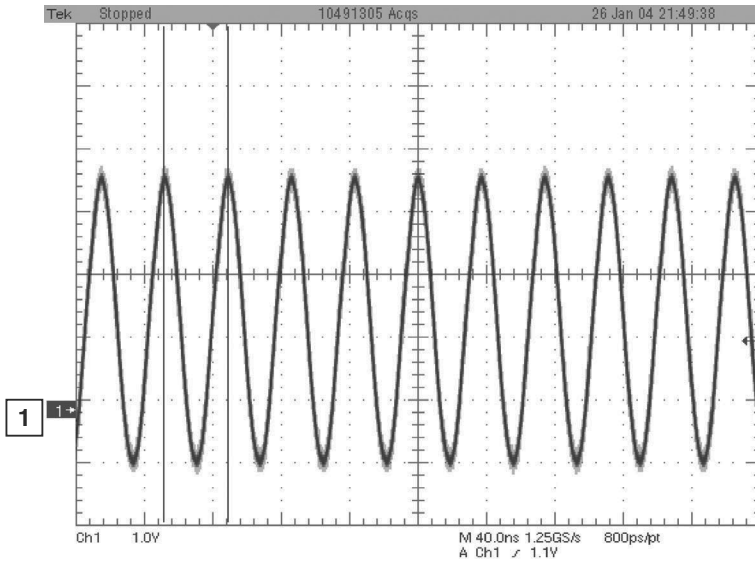


FIG 1-1

2) MT1389S reset is low active

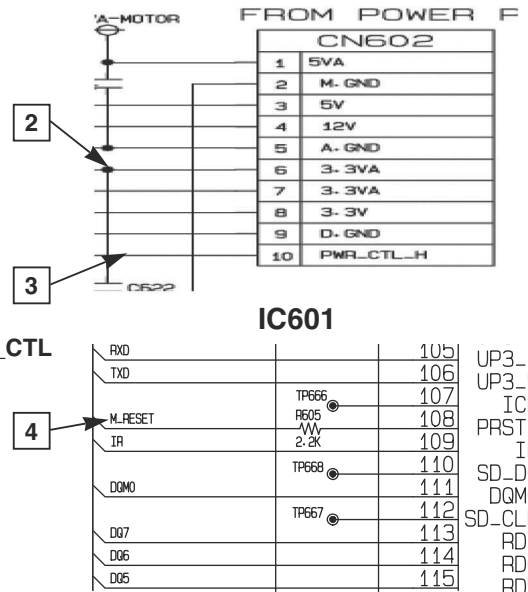
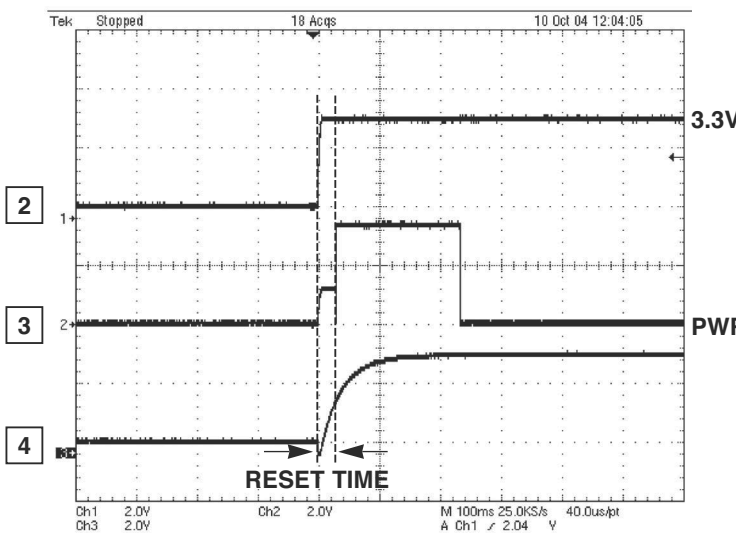


FIG 1-2

2. SDRAM CLOCK

DCLK = 128MHz, Vp-p=2.2

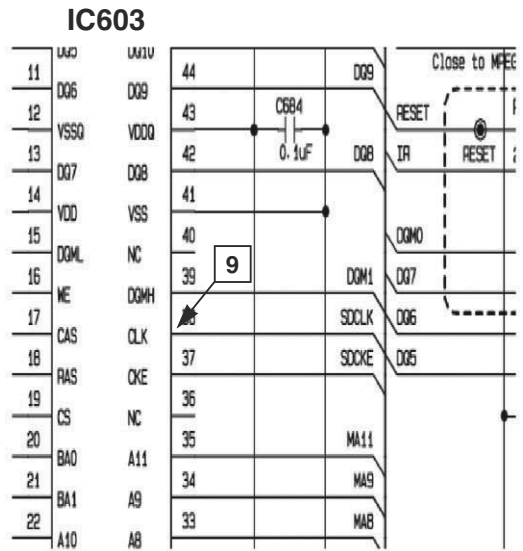
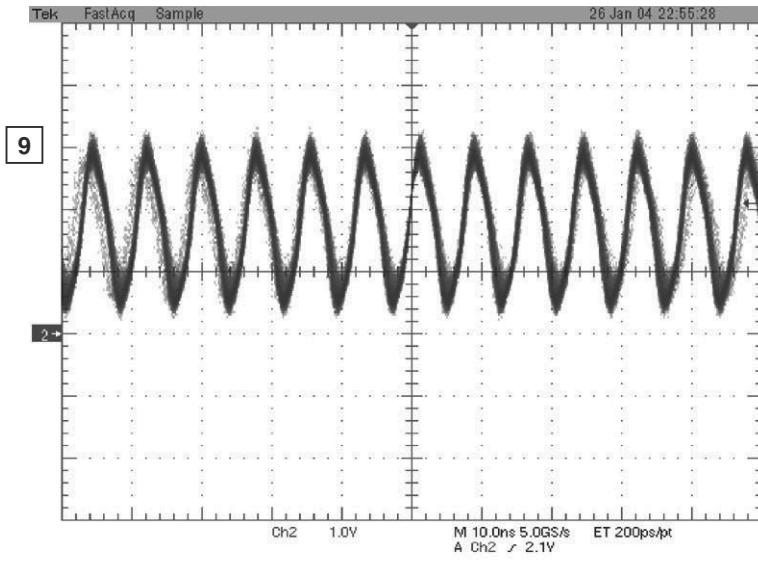


FIG 2-1

3. TRAY OPEN/CLOSE SIGNAL

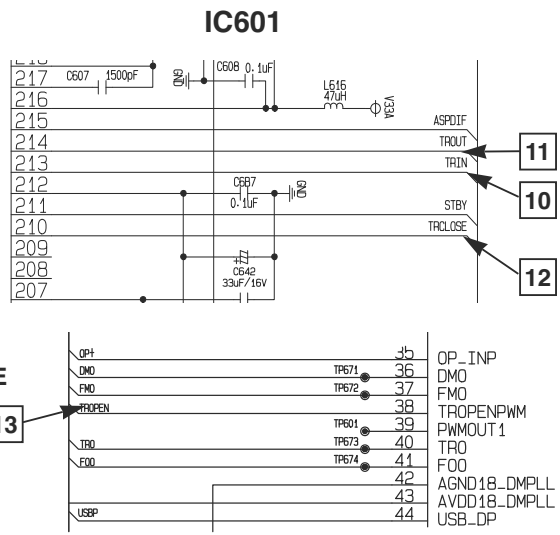
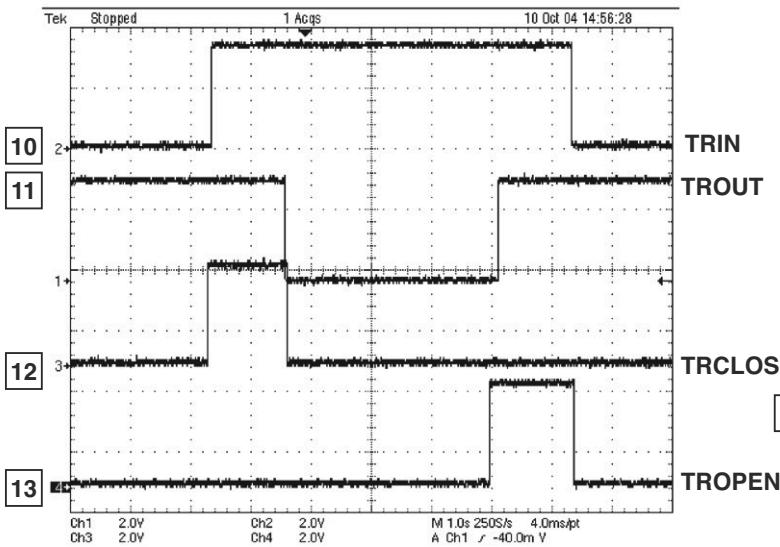


FIG 3-1

4. SLED CONTROL RELATED SIGNAL (NO DISC CONDITION)

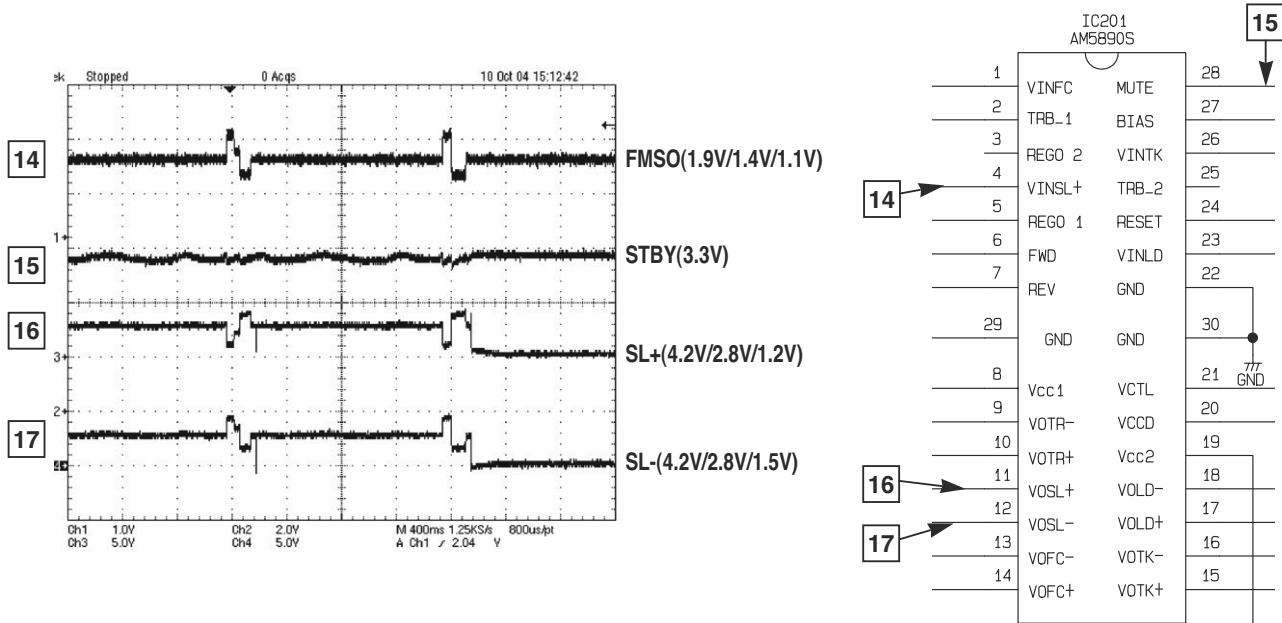


FIG 4-1

5. LENS CONTROL RELATED SIGNAL (NO DISC CONDITION)

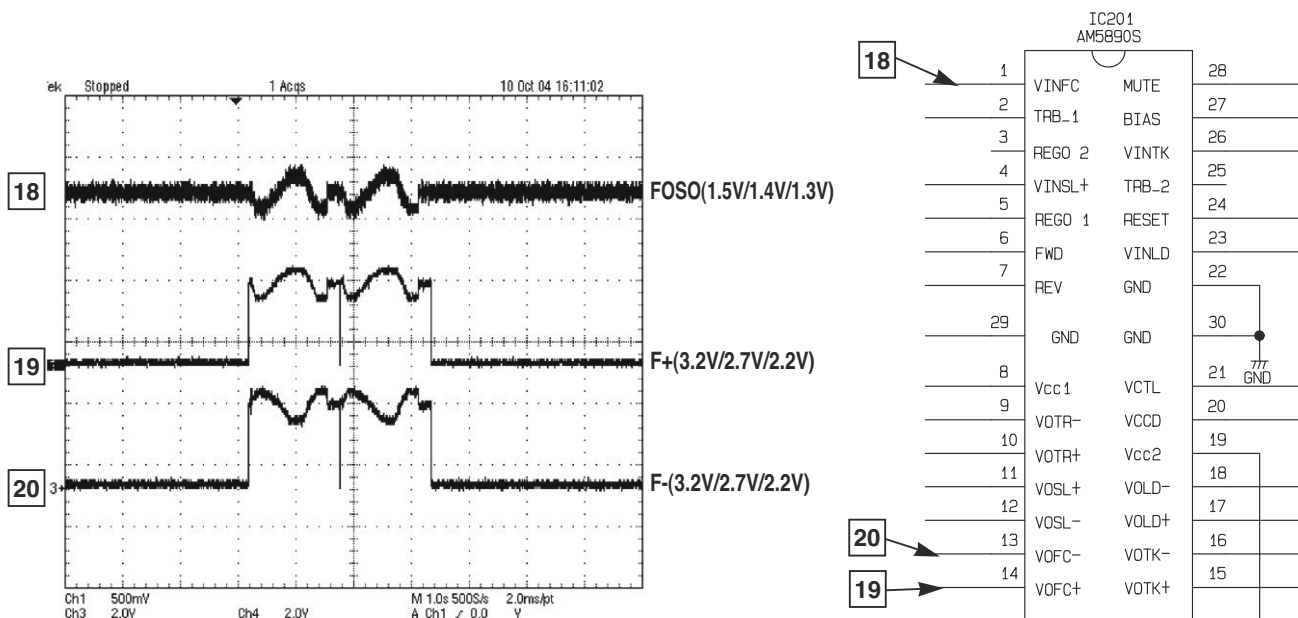


FIG 5-1

6. LASER POWER CONTROL RELATED SIGNAL (NO DISC CONDITION)

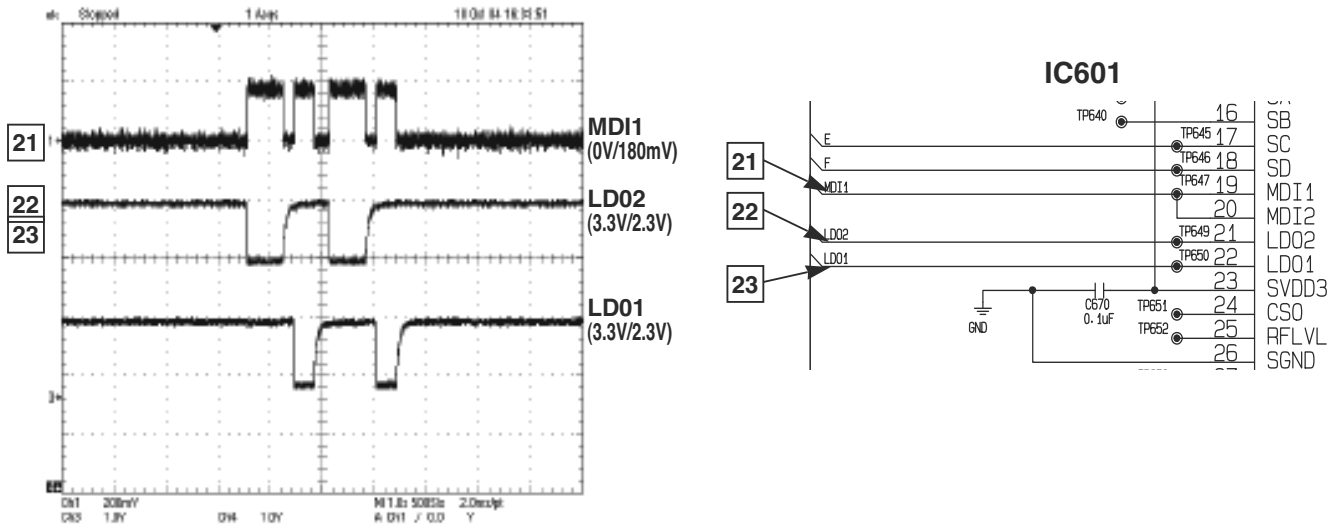


FIG 6-1

7. DISC TYPE JUDGEMENT WAVEFORM

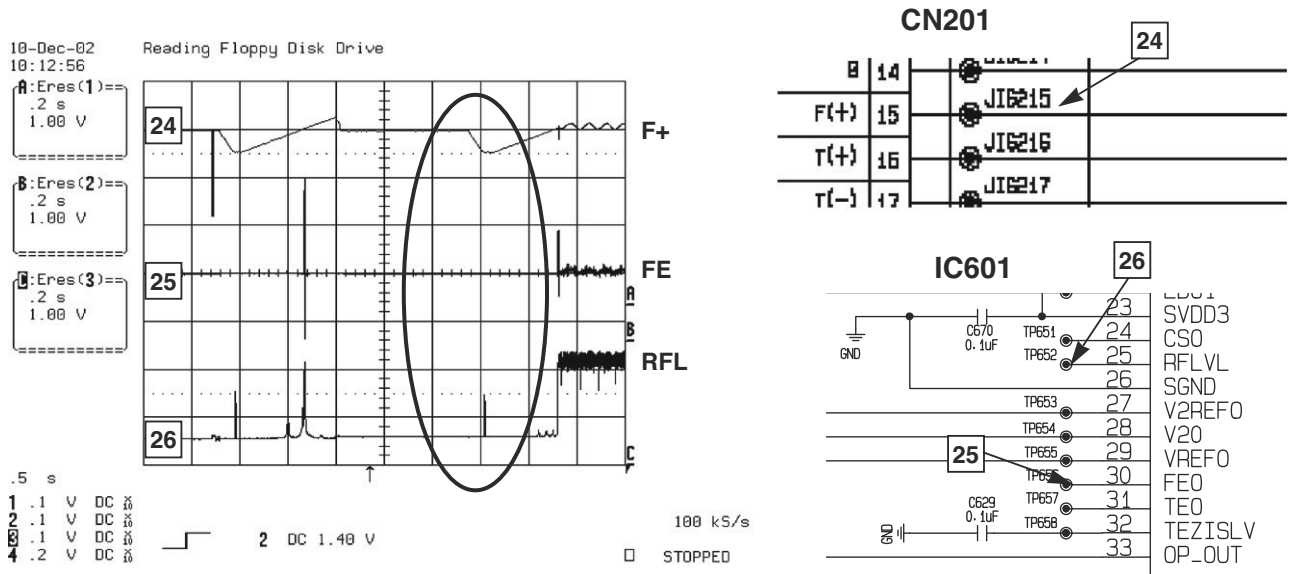


FIG 7-1 (DVD)

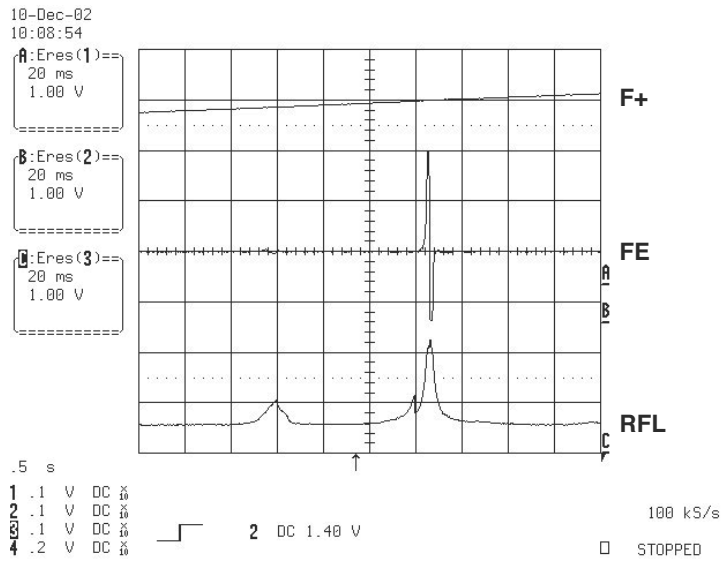


FIG 7-2 (DVD)

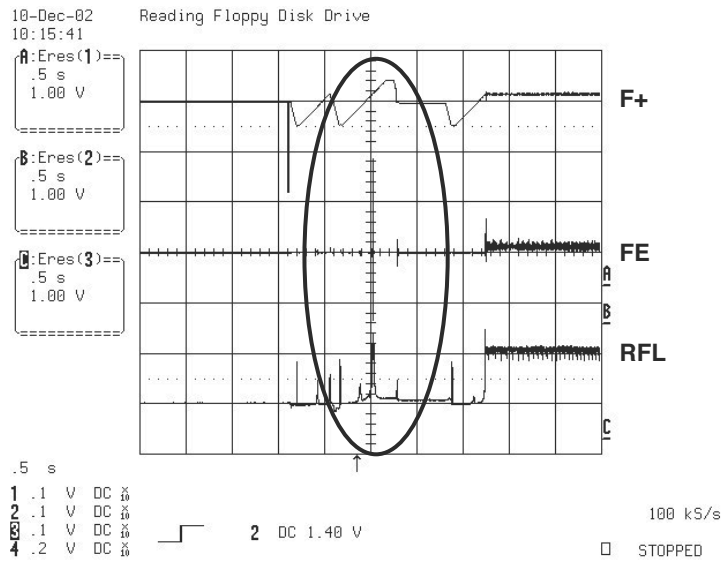


FIG 7-3 (CD)

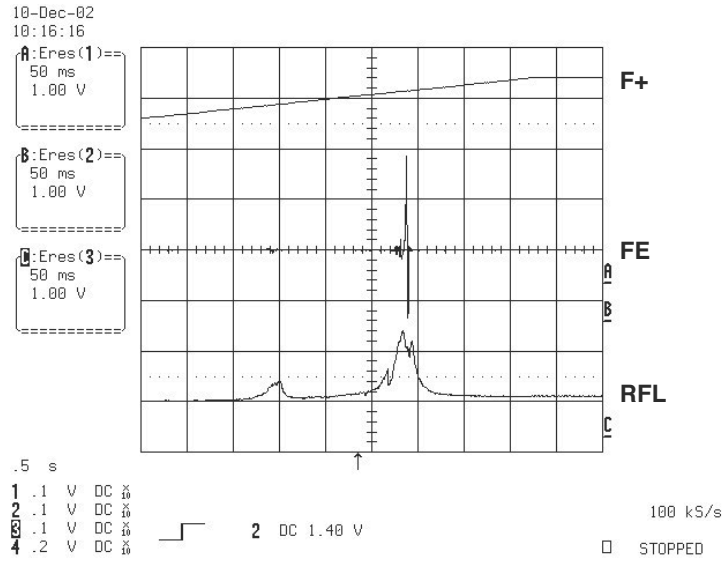


FIG 7-4 (CD)

8. FOCUS ON WAVEFORM

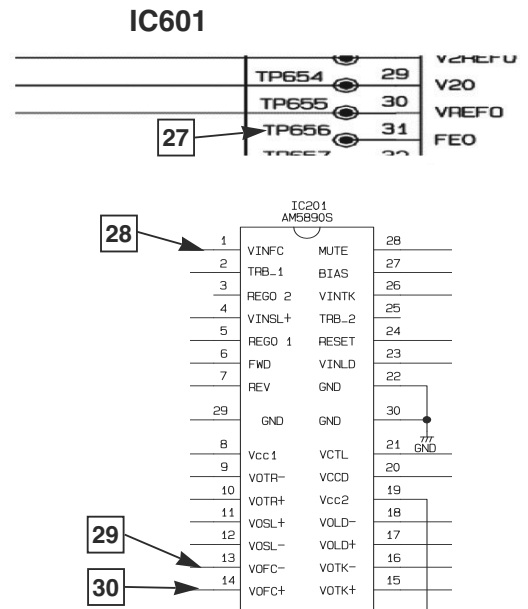
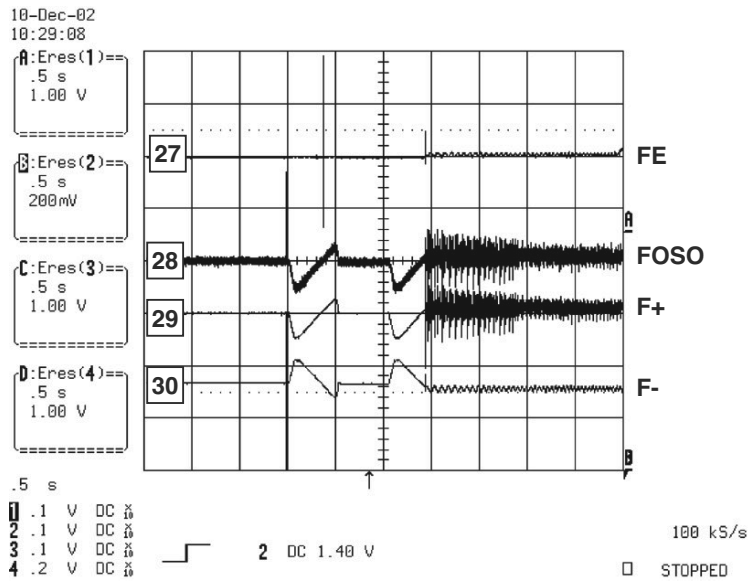


FIG 8-1 (DVD)

10. TRACKING CONTROL RELATED SIGNAL (SYSTEM CHECKING)

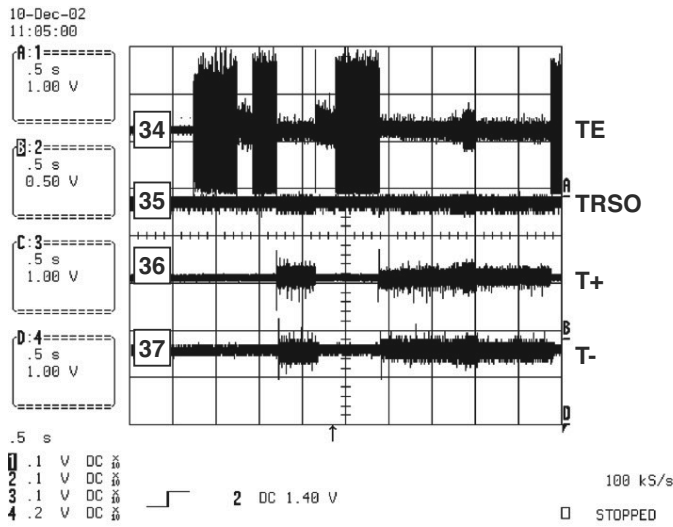


FIG 10-1 (DVD)

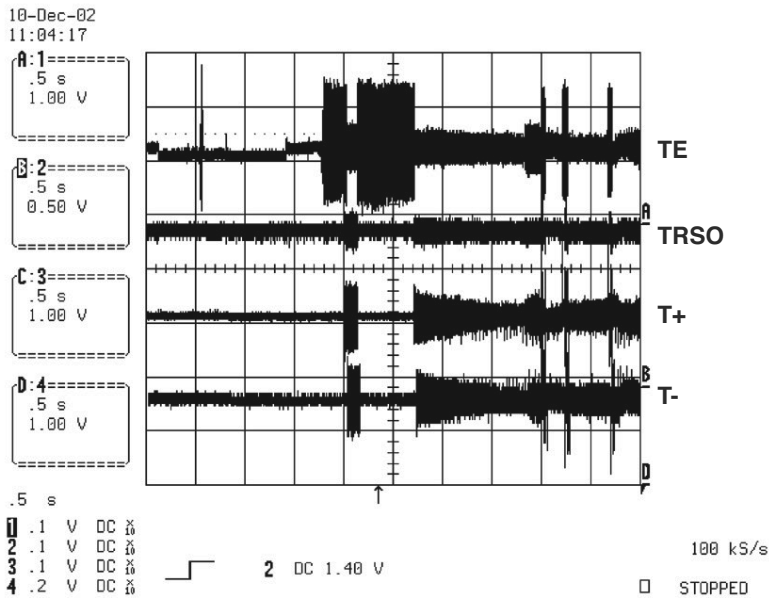
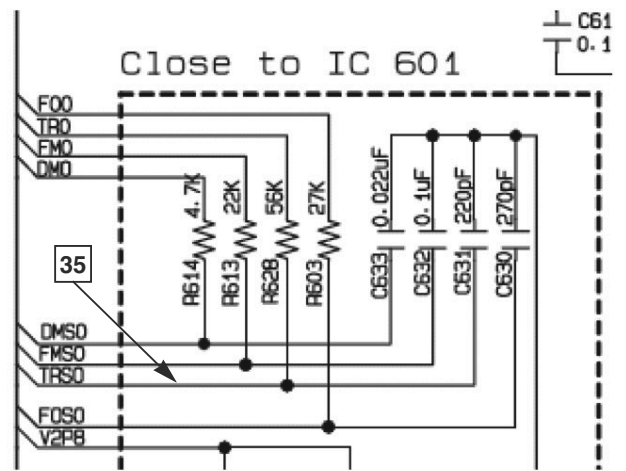
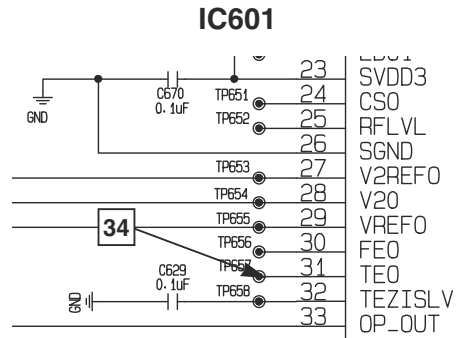
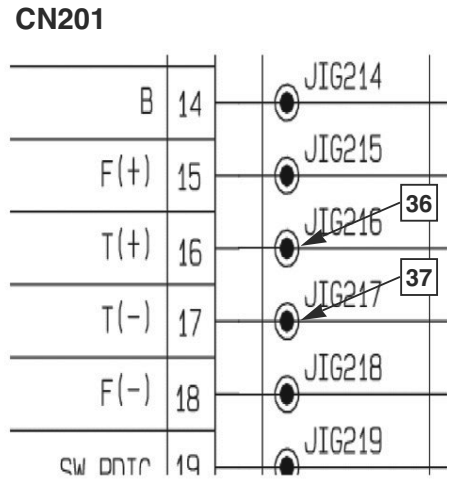


FIG 10-2 (CD)



11. MT1389S AUDIO OPTICAL AND COAXIAL OUTPUT (SPDIF)

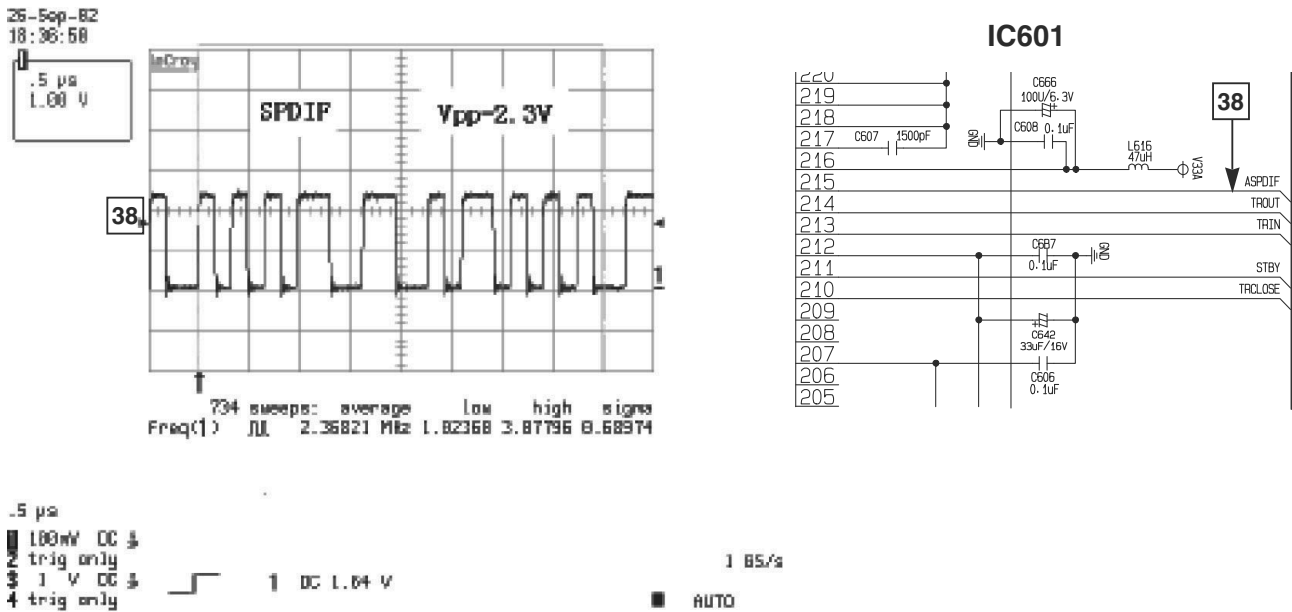


FIG 11-1

12. MT1389S VIDEO OUTPUT WAVEFORM

1) Full colorbar signal (CVBS)

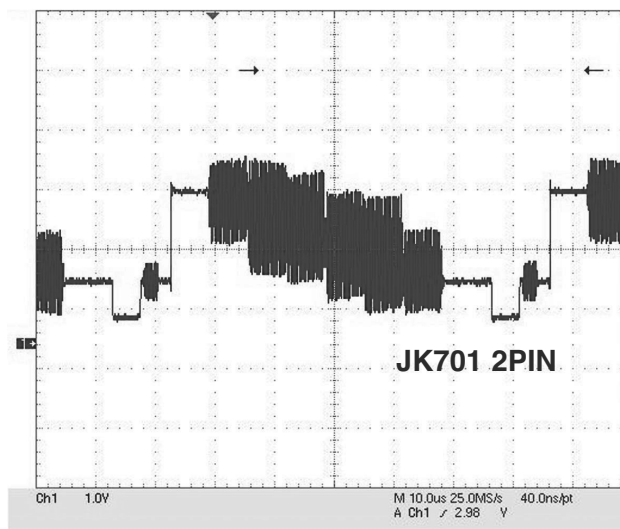


FIG 12-1

13. AUDIO OUTPUT FROM MT1389S

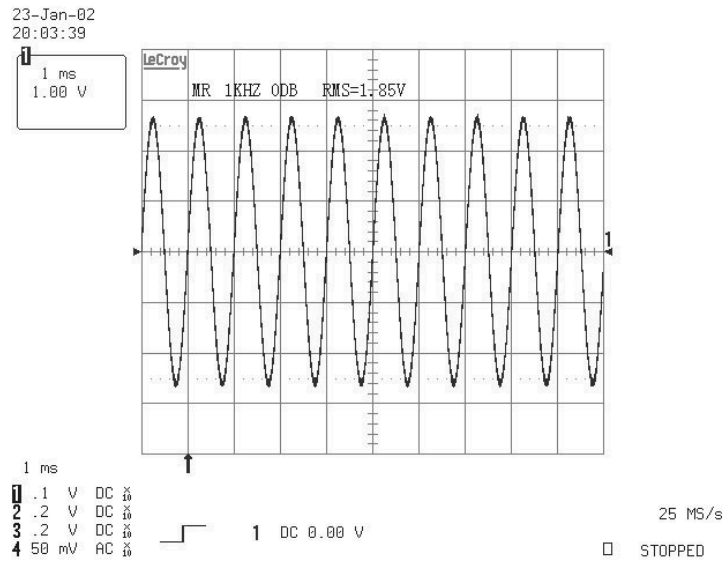
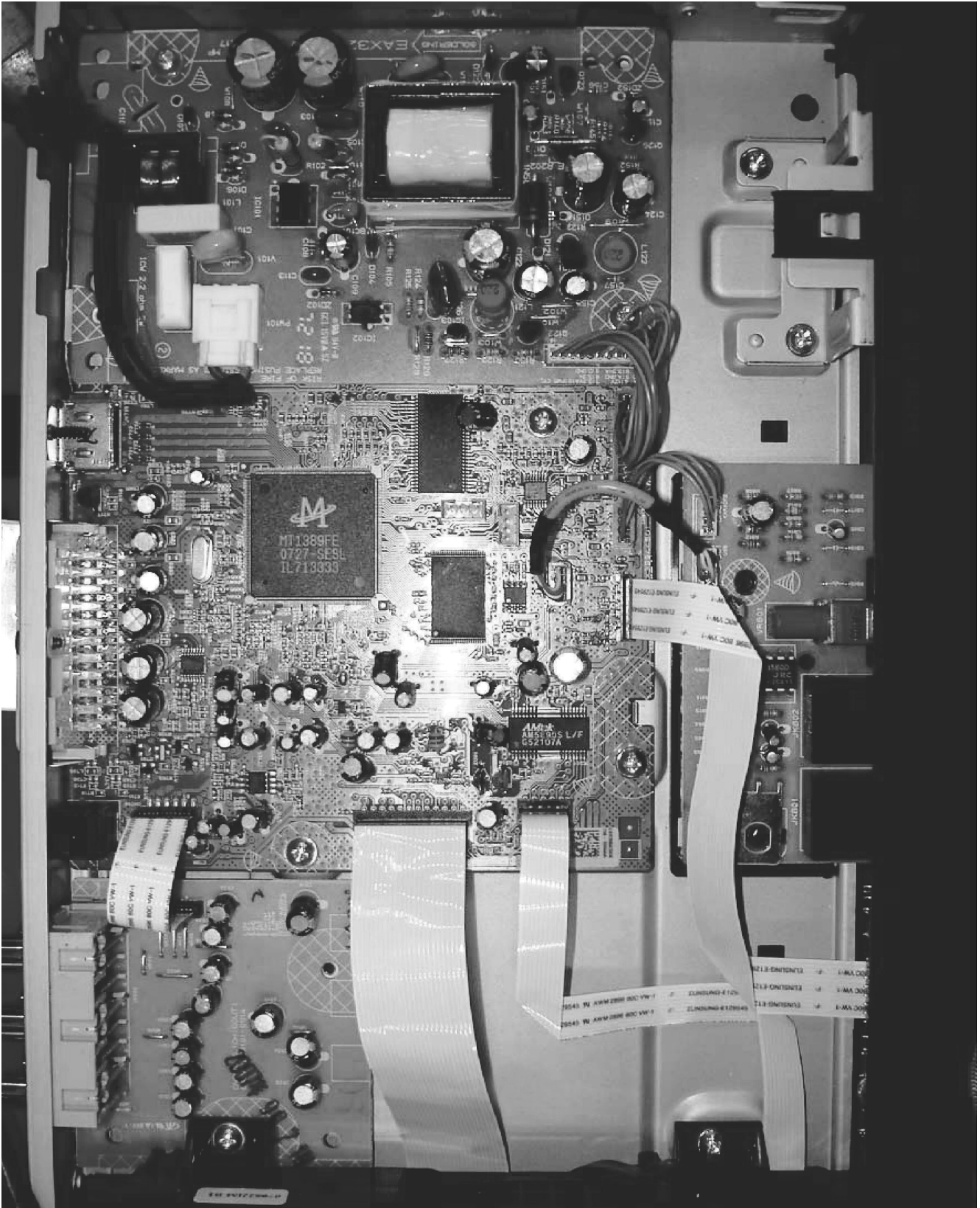


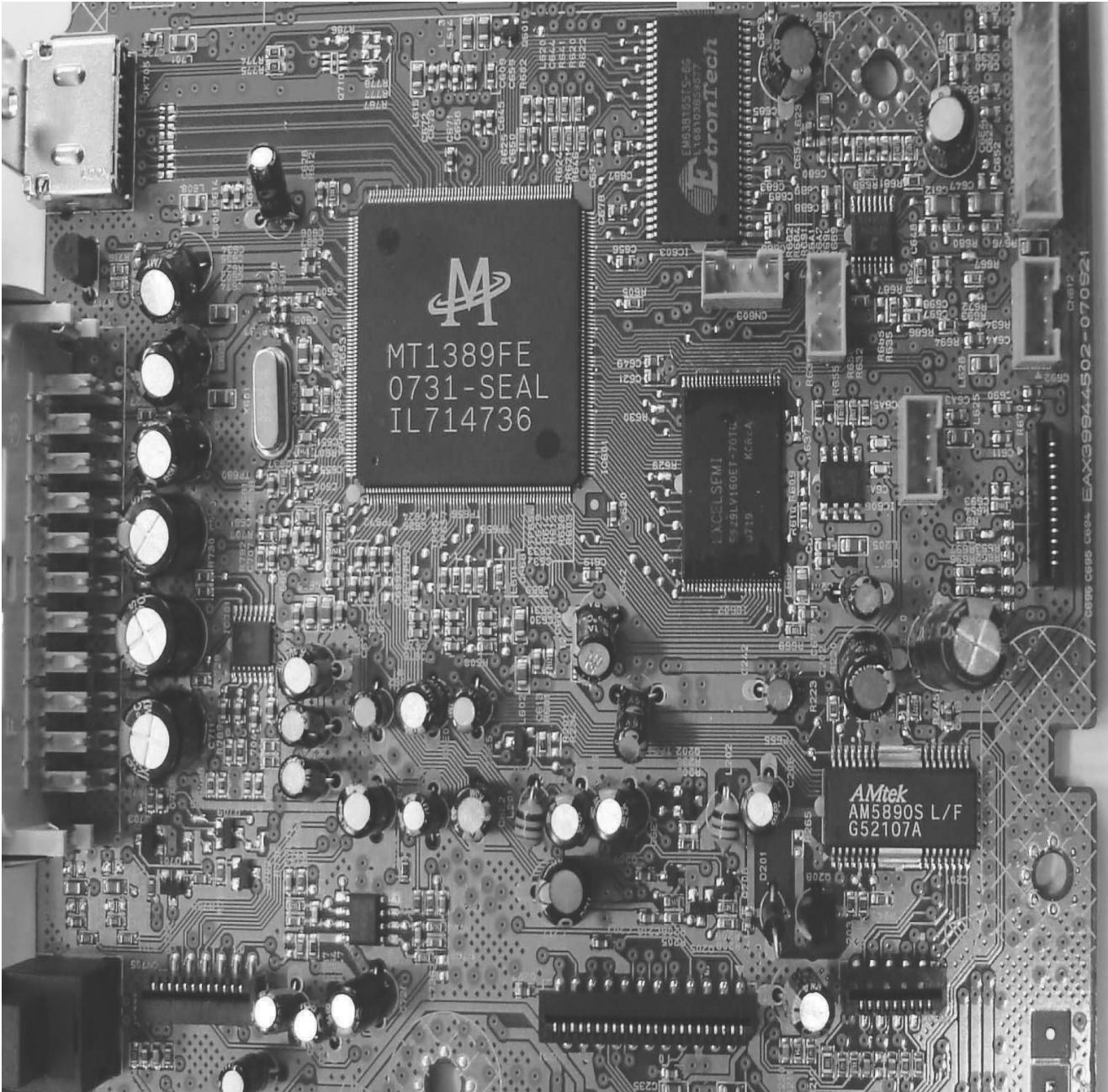
FIG 13-1

CONNECTOR PICTURE

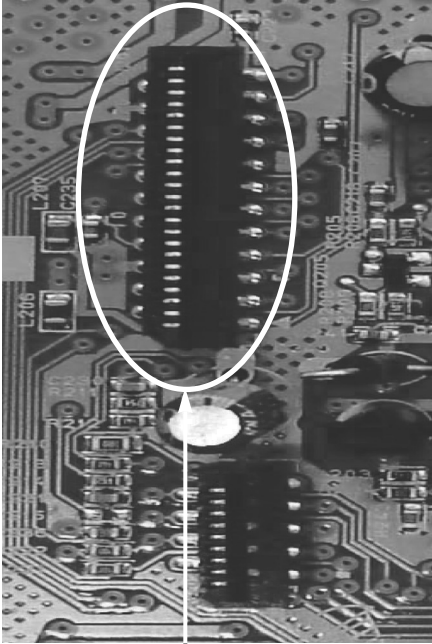
1. ALL CONNECTOR PICTURE



2. MAIN BOARD CONNECTOR PICTURE



3. CN201 CONNECTOR PICTURE



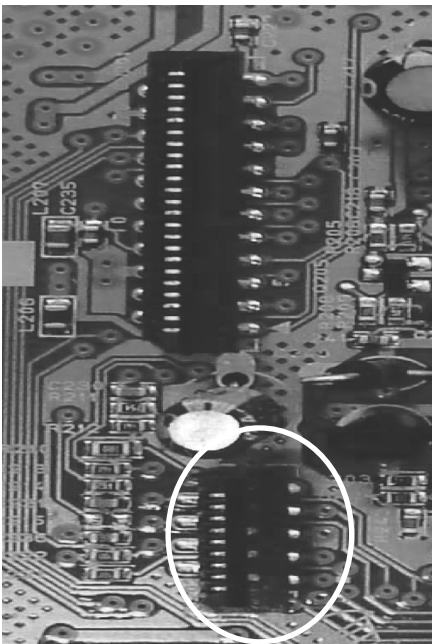
FROM PICKUP

CN20 1	
NC/FHM-VCC	1
RF	2
DVD-LD	3
MON(COM)/5V	4
DVD_VR	5
GND	6
VREF/VC	7
VCC	8
F	9
E	10
A	11

D	12
C	13
B	14
F(+)	15
T(+)	16
T(-)	17
F(-)	18
SW_PDIC	19
GND	20
CD-LD	21
MON/MPD	22
CD_VR	23

CN201 (MD 23PIN)

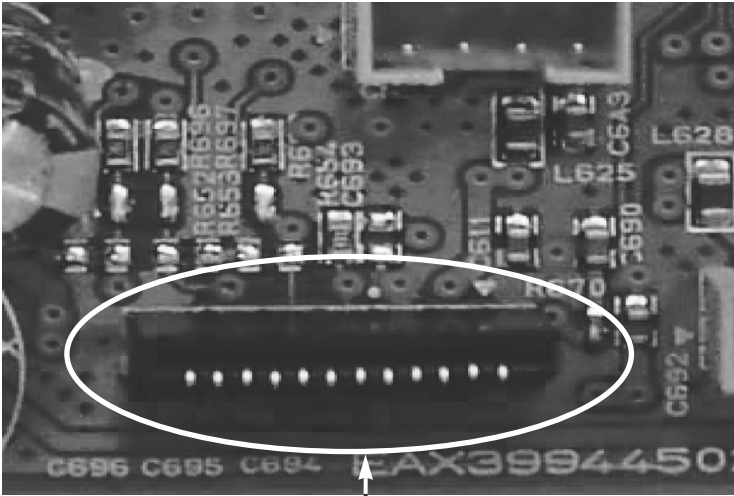
4. CN202 CONNECTOR PICTURE



CN202	
LM-	1
LM+	2
OPEN	3
CLOSE	4
GND	5
FM+	6
FM-	7
SP+	8
SP-	9

CN202 (MD 9PIN)

5. CN601 CONNECTOR PICTURE

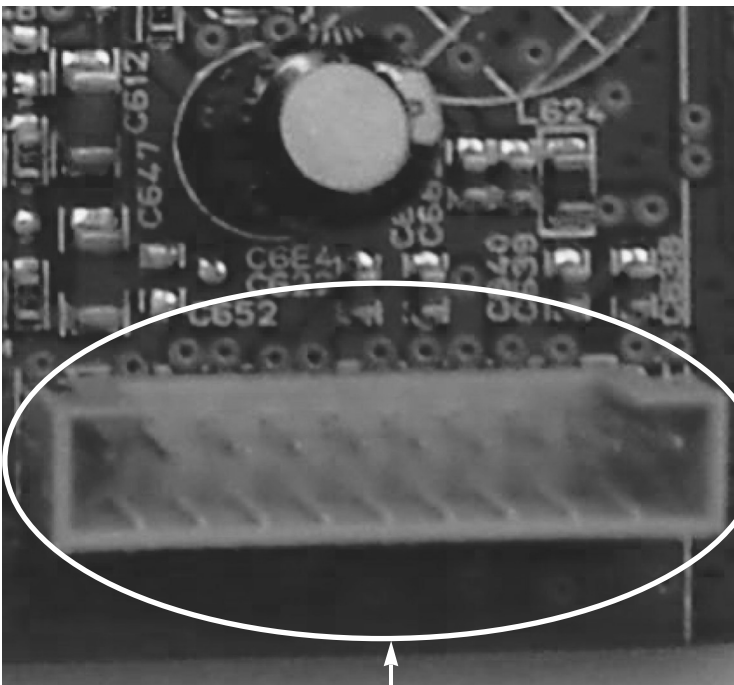


TO FRONT PCB

12	DOUT
11	DIN
10	GND
9	CLK
8	STB
7	GND
6	IR
5	GND
4	3.3VA
3	5V
2	GND
1	POWER_KEY
CN601	

CN601 (Front 12PIN)

6. CN602 CONNECTOR PICTURE

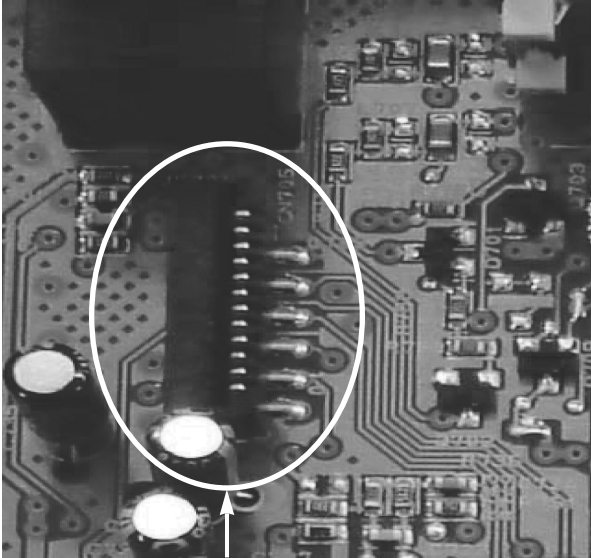


FROM POWER PCB

CN602	
1	5VA
2	M. GND
3	5V
4	12V
5	A. GND
6	3.3VA
7	3.3VA
8	3.3V
9	D. GND
10	PWR_CTL_H

CN602 (POWER 10PIN)

9. CN705 CONNECTOR PICTURE

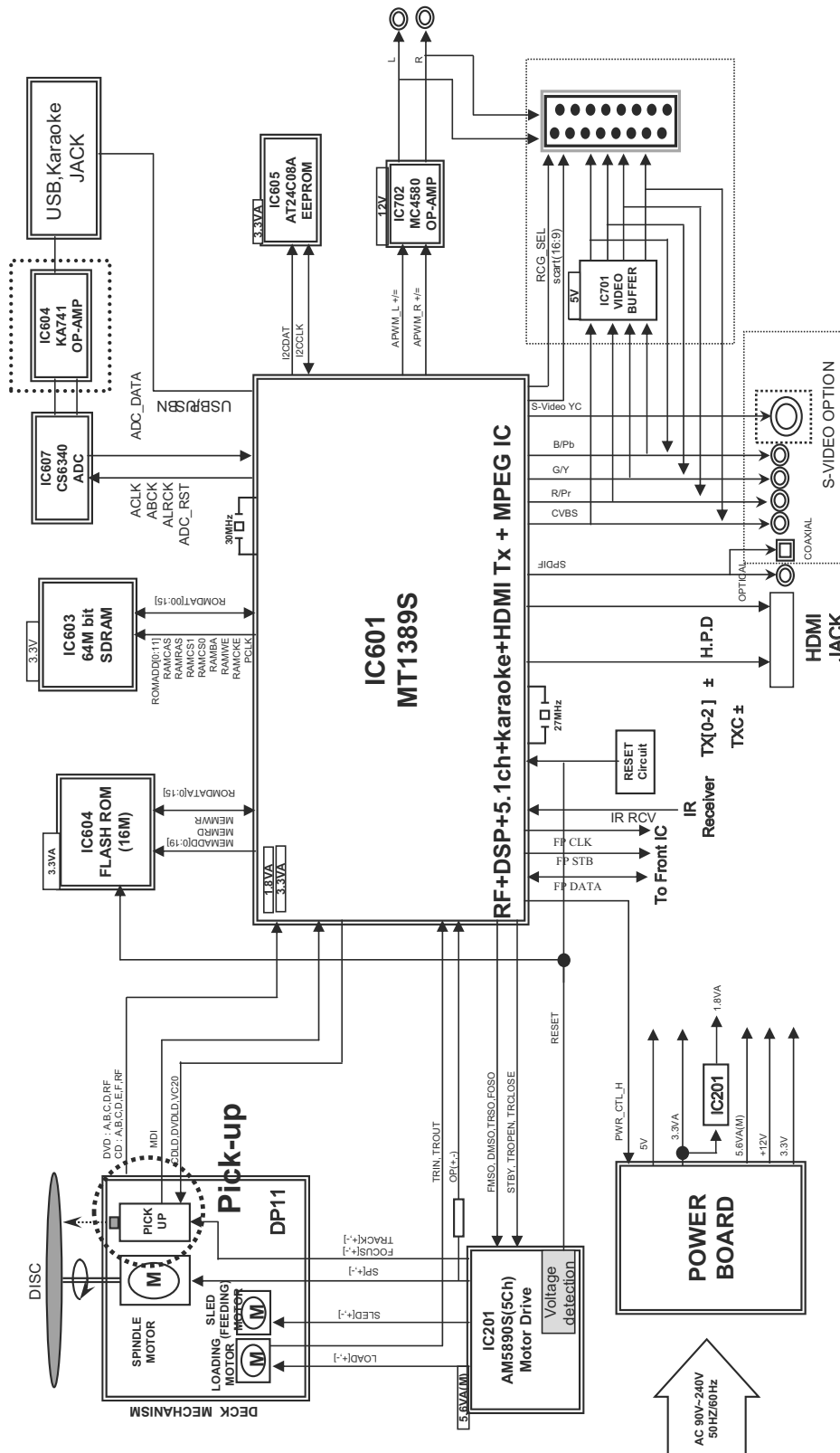


CN705	
1	12V
2	GND
3	GND
4	ALS
5	ARS
6	Center
7	Woofers
8	A-Mute
9	GND
10	AL
11	AR
12	GND

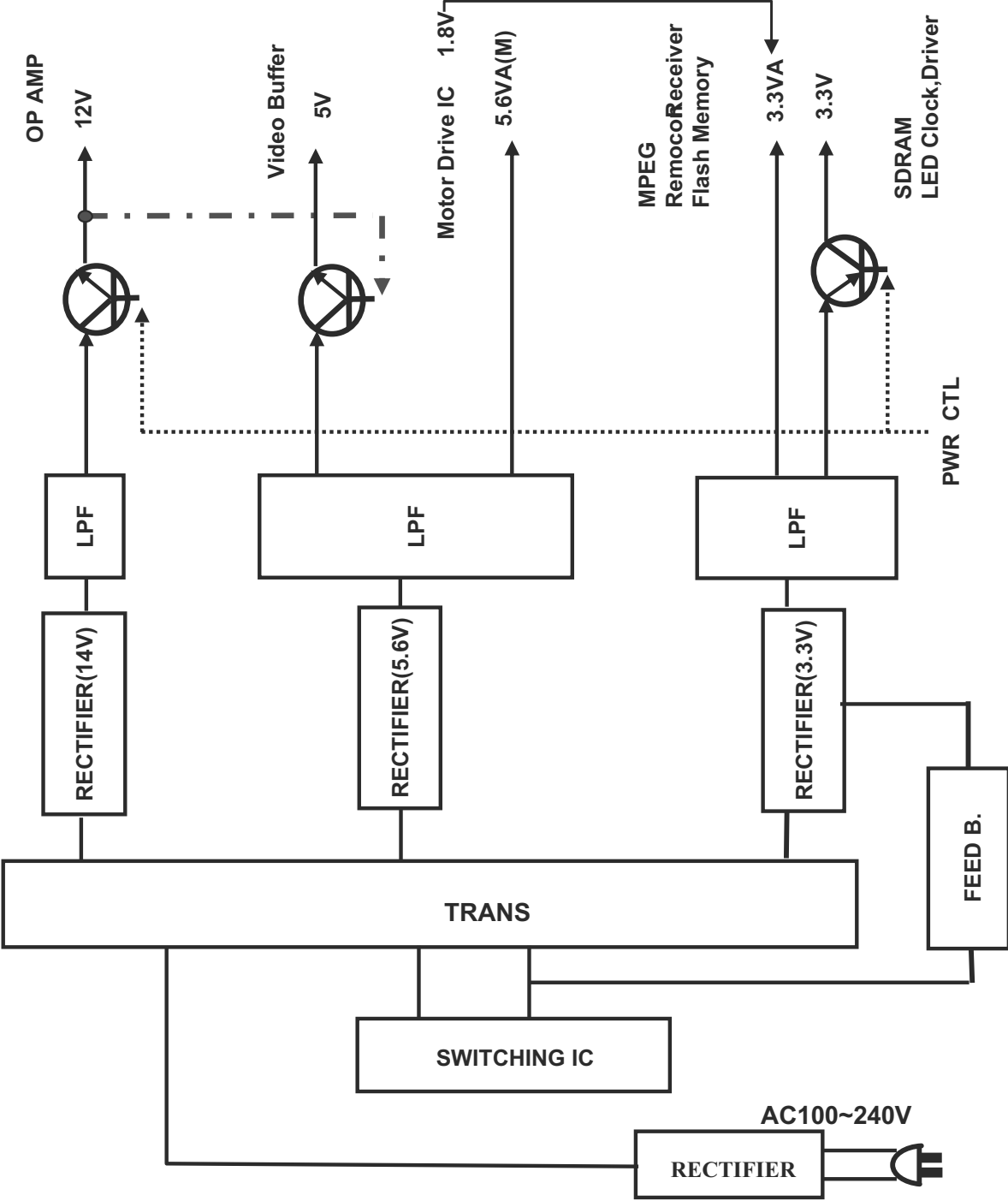
CN705 (5.1ch 12PIN)

BLOCK DIAGRAMS

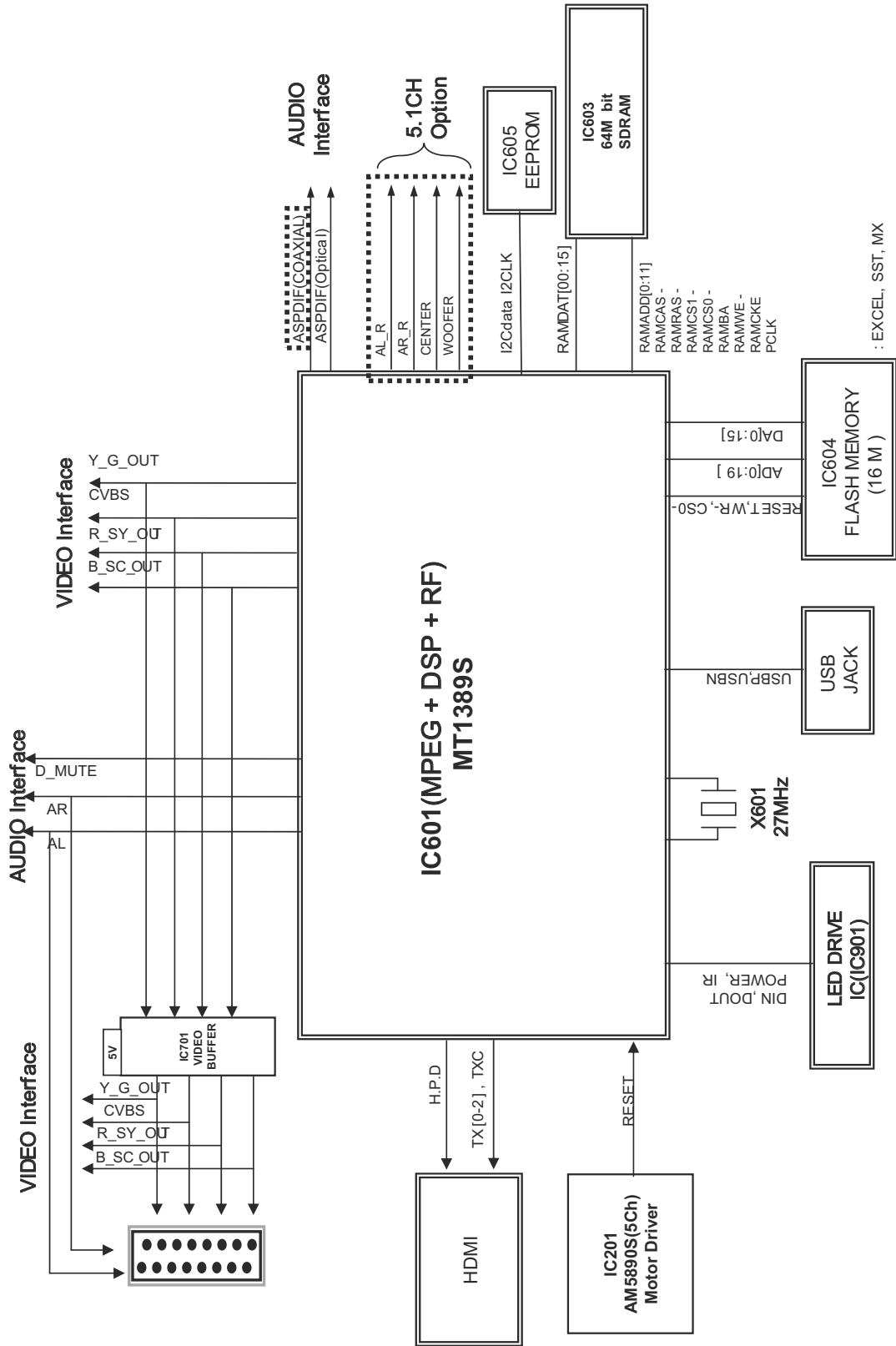
1. OVERALL BLOCK DIAGRAM



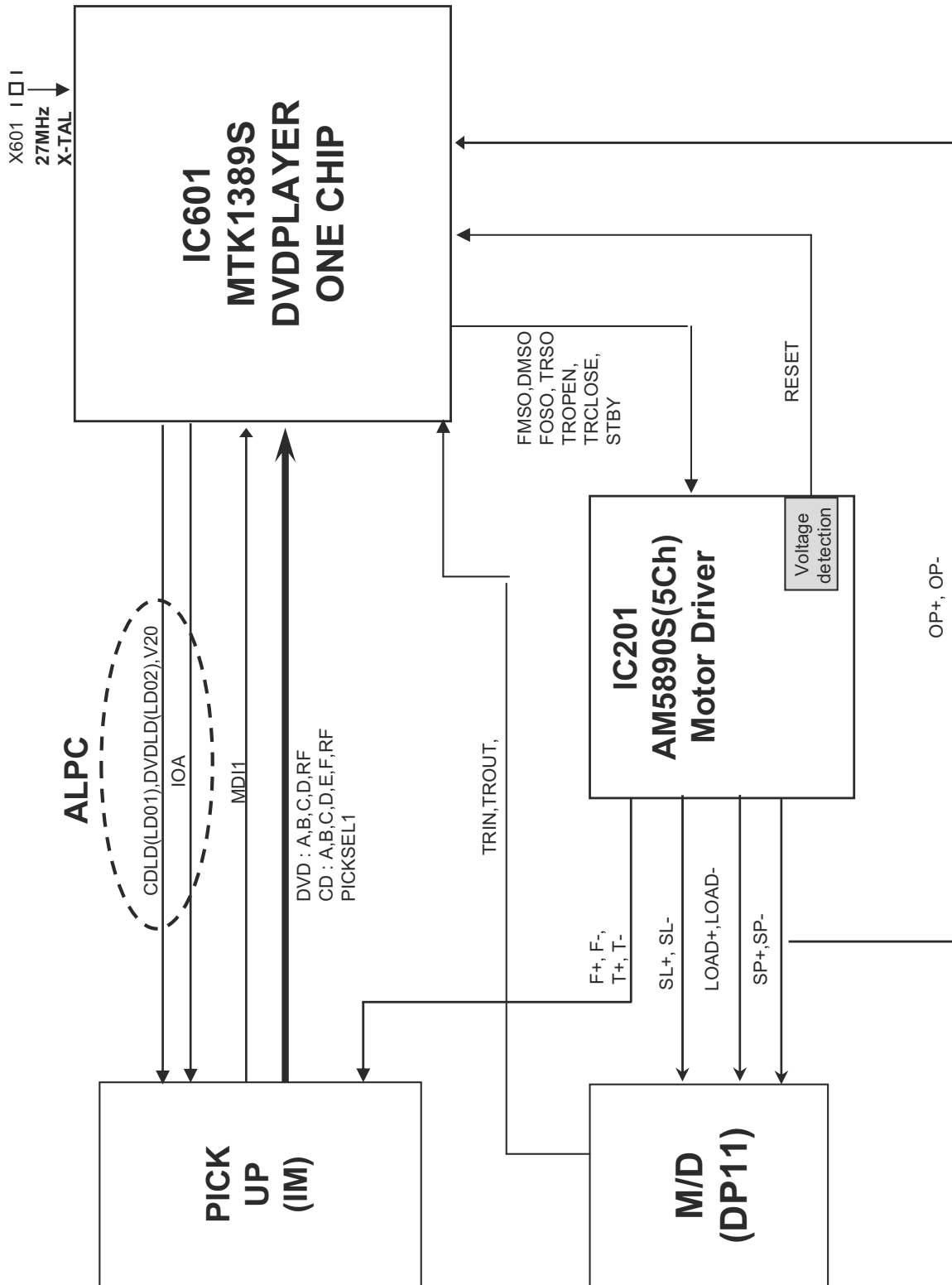
2. POWER (SMPS) BLOCK DIAGRAM



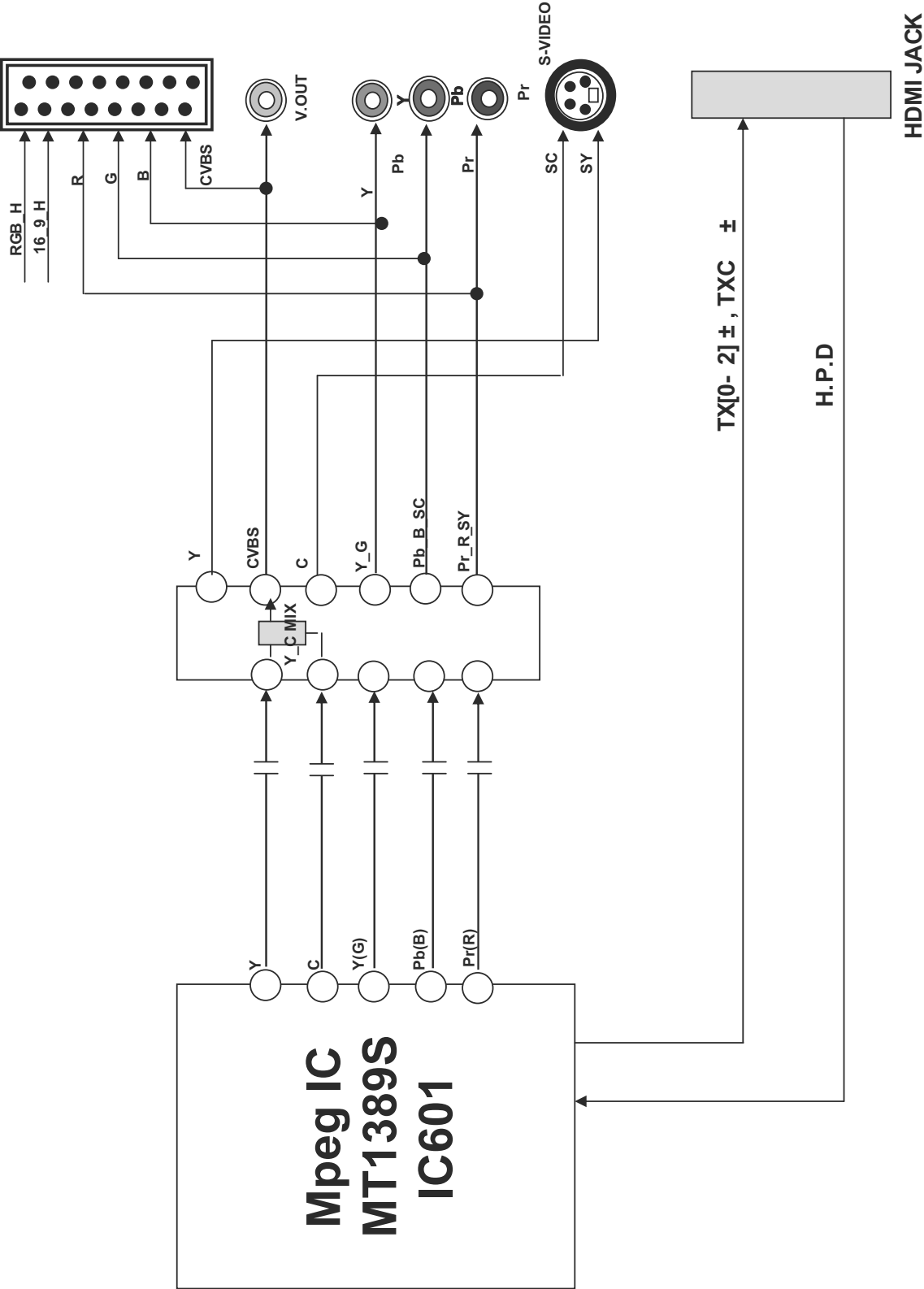
3. MPEG & MEMORY BLOCK DIAGRAM



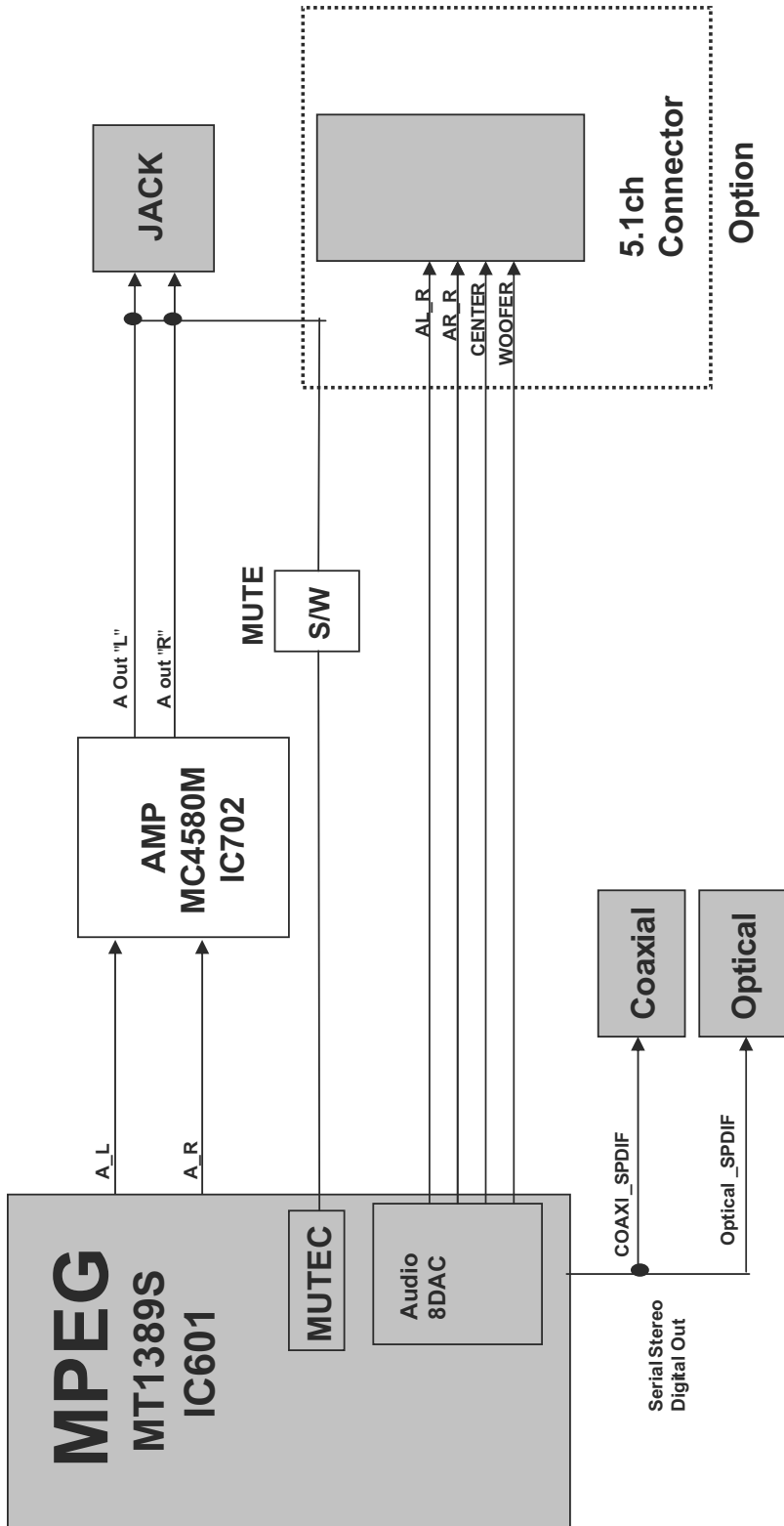
4. SERVO BLOCK DIAGRAM



5. VIDEO & HDMI BLOCK DIAGRAM

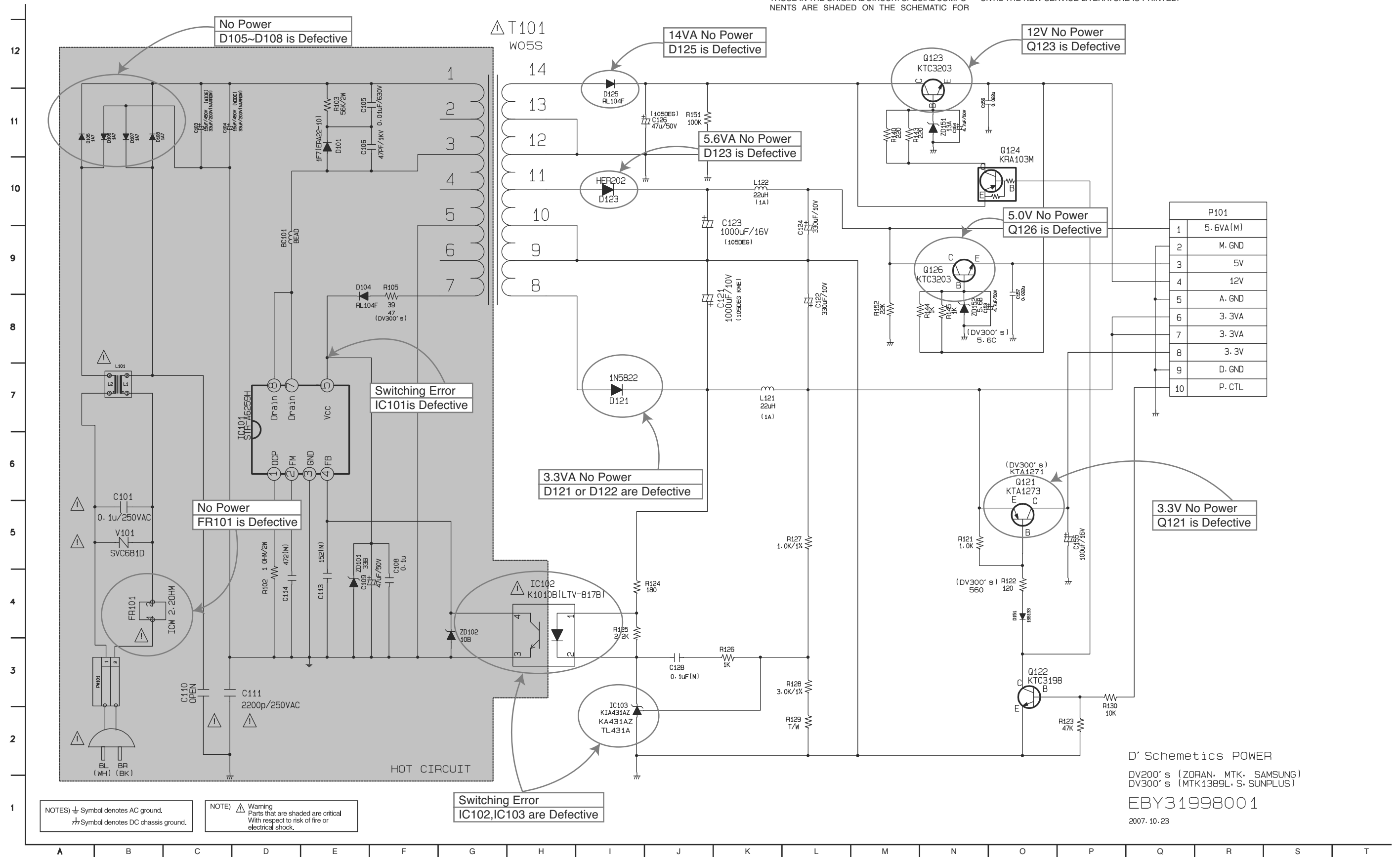


6. AUDIO BLOCK DIAGRAM

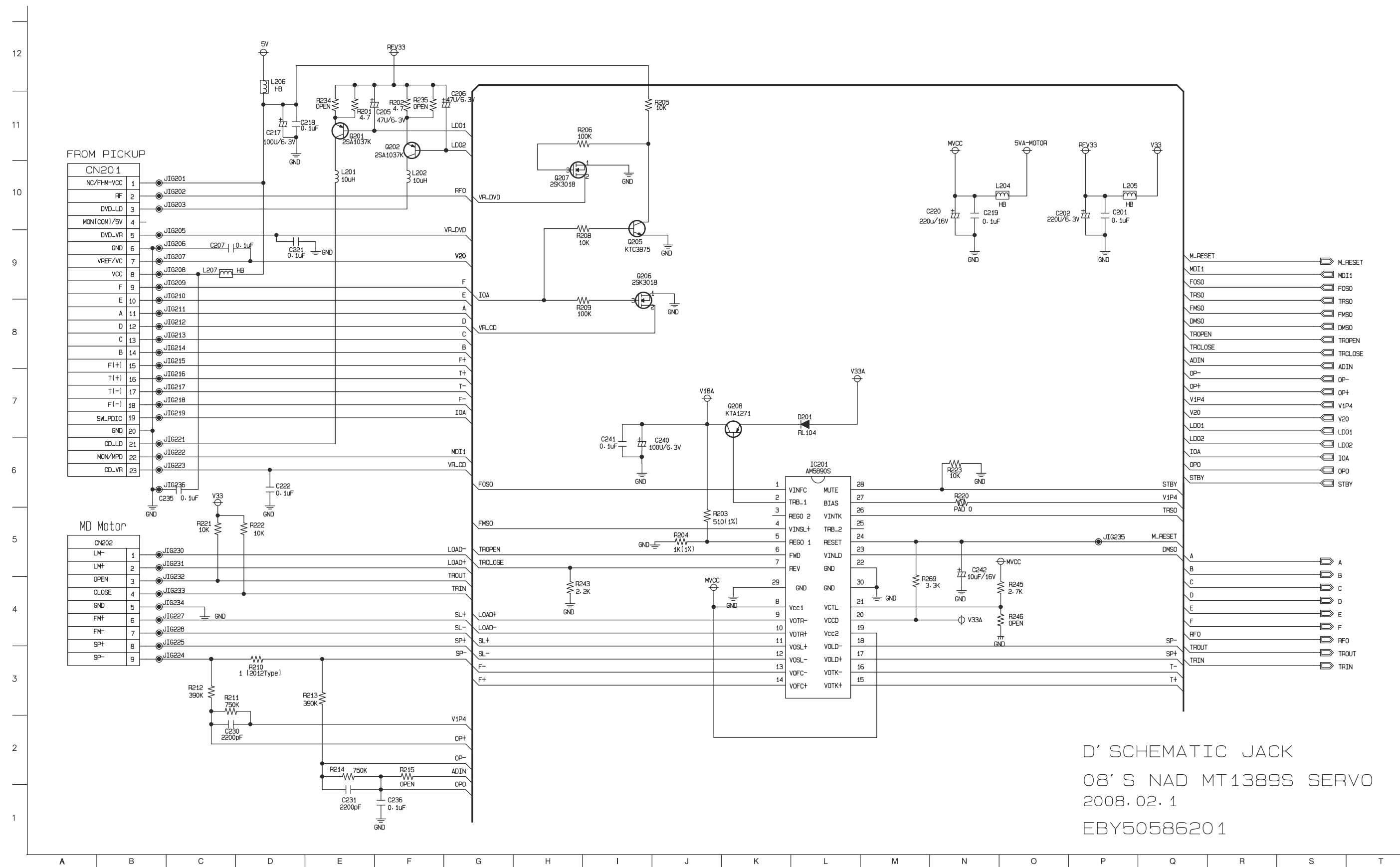


CIRCUIT DIAGRAMS

1. POWER (SMPS) CIRCUIT DIAGRAM

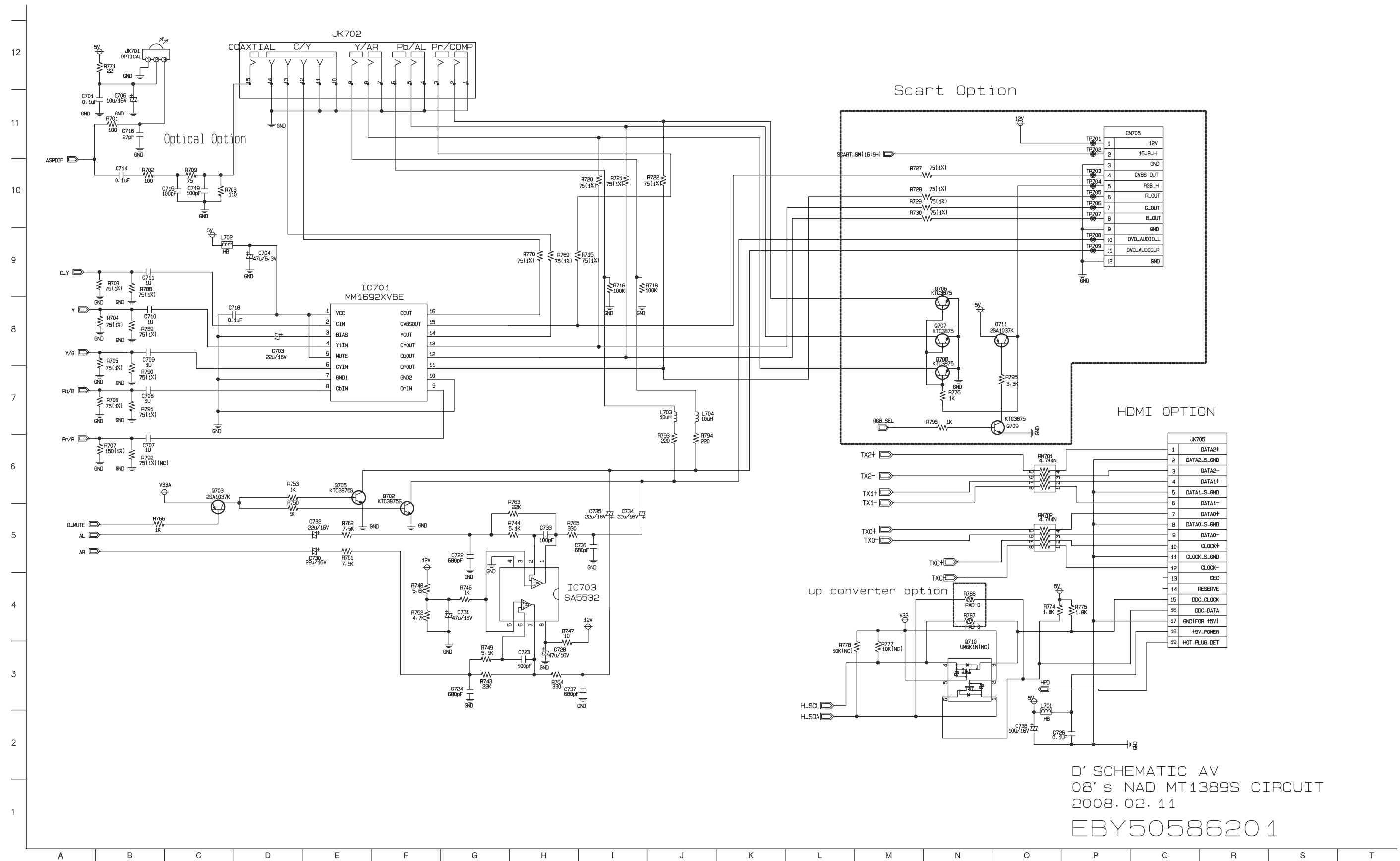


3. SERVO CIRCUIT DIAGRAM



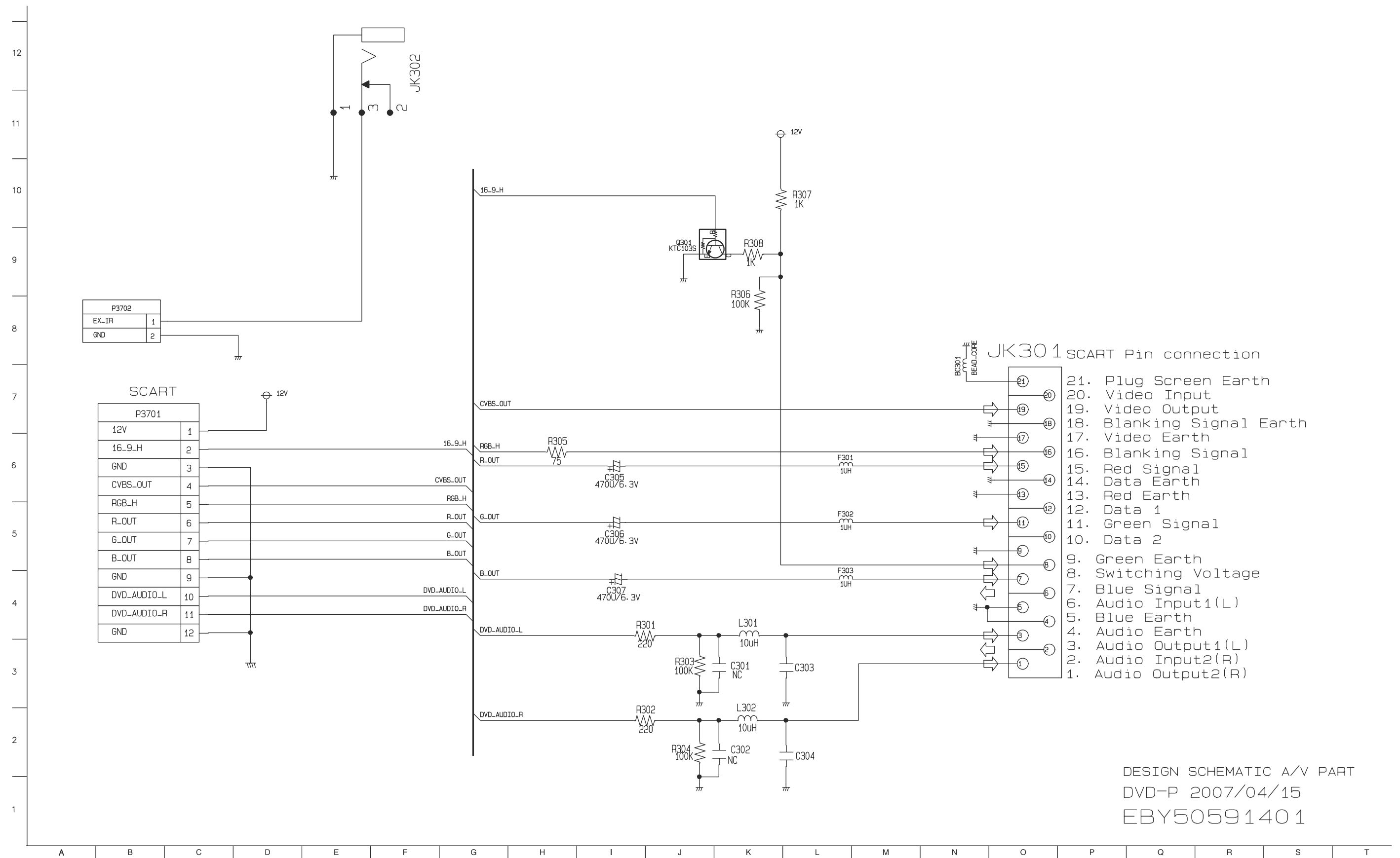
D' SCHEMATIC JACK
 08' S NAD MT1389S SERVO
 2008.02.1
 EBY50586201

4. JACK CIRCUIT DIAGRAM



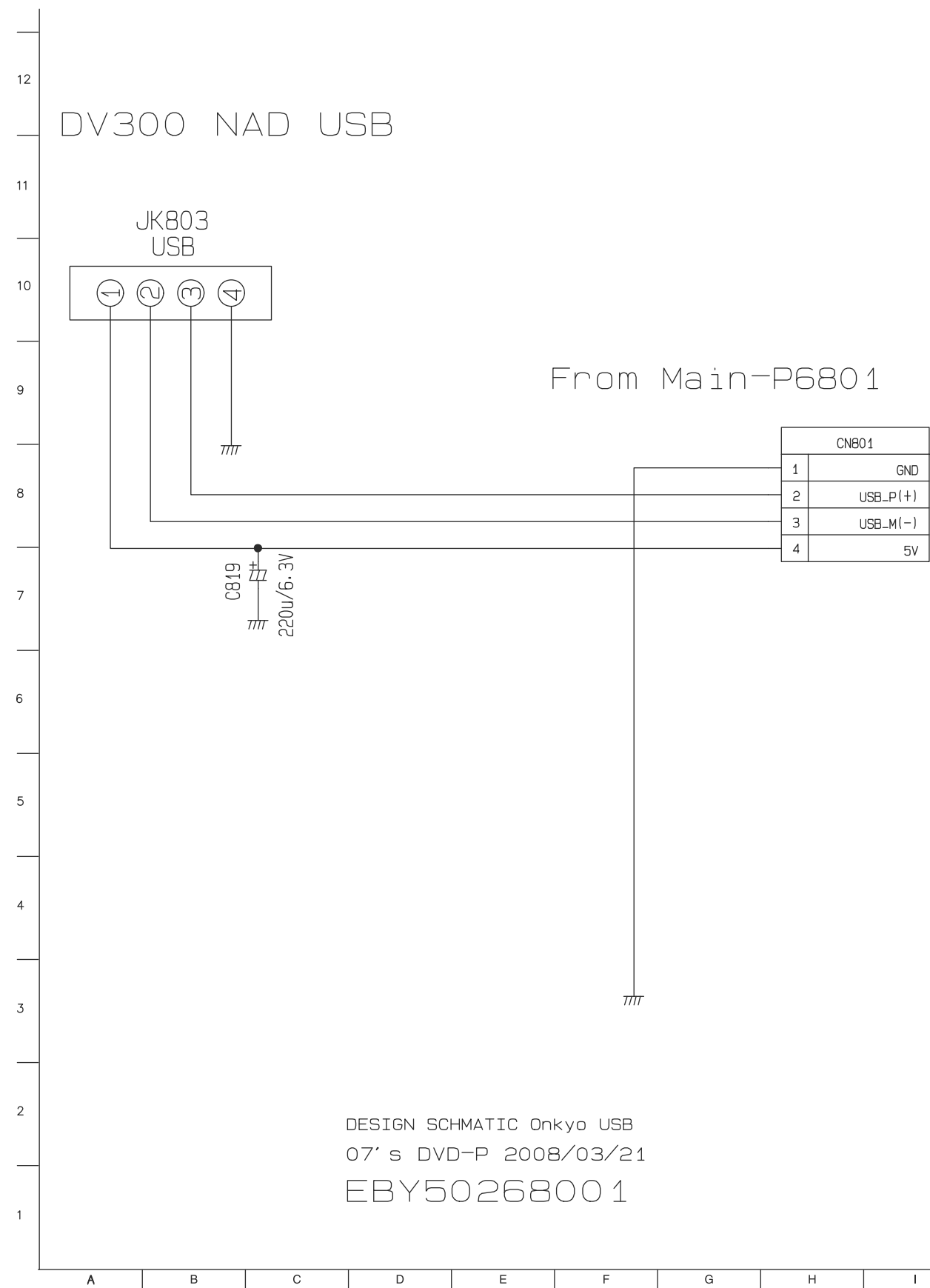
D' SCHEMATIC AV
 08' s NAD MT1389S CIRCUIT
 2008.02.11
 EBY50586201

5. SCART CIRCUI T DIAGRAM (OPTION)

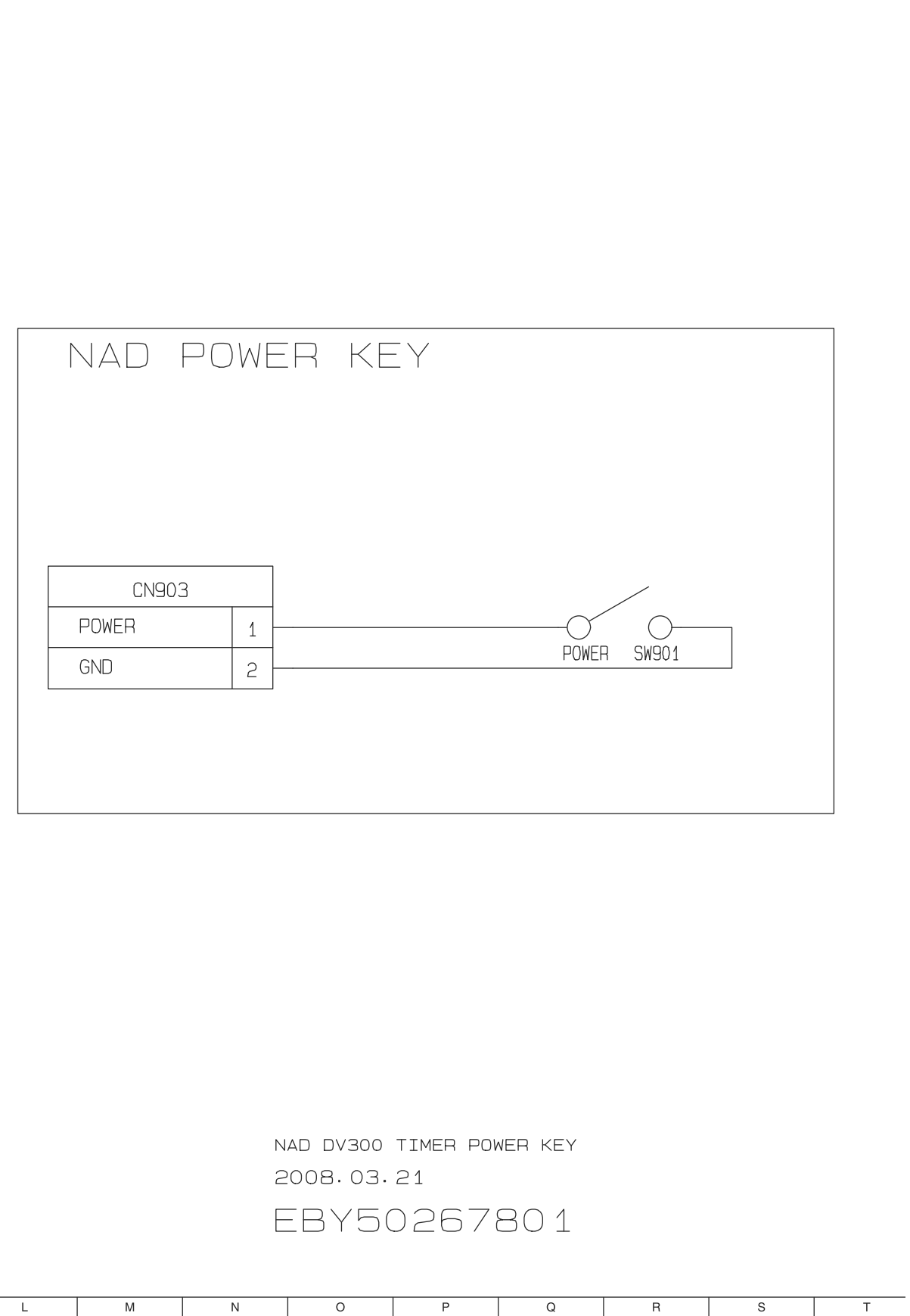


DESIGN SCHEMATIC A/V PART
 DVD-P 2007/04/15
 EBY50591401

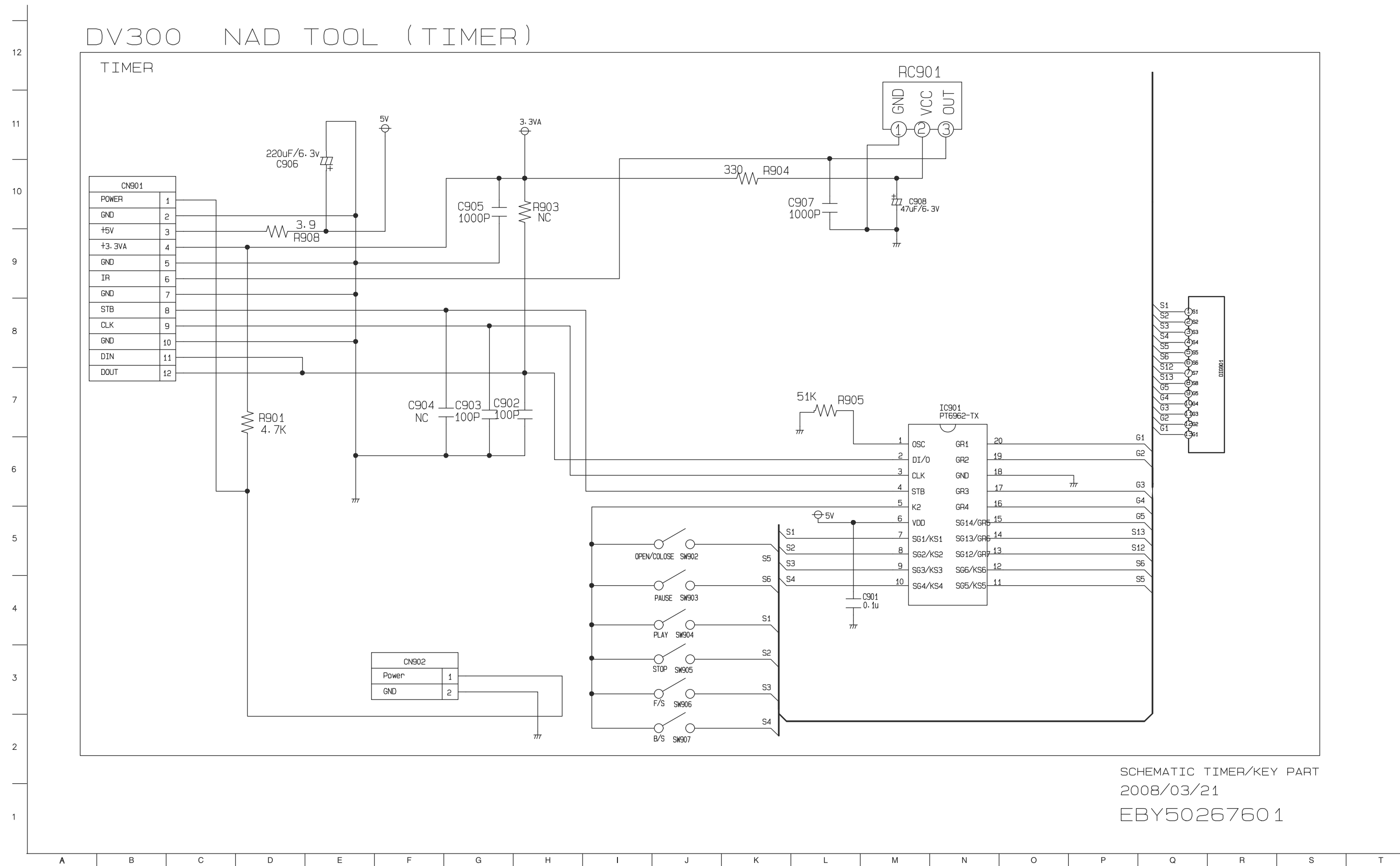
6. USB CIRCUIT DIAGRAM



7. KEY CIRCUIT DIAGRAM



8. TIMER CIRCUIT DIAGRAM



SCHEMATIC TIMER/KEY PART
2008/03/21
EBY50267601

• CIRCUIT VOLTAGE CHART

MODE PIN NO.	STOP	PLAY
IC201(AM5869S)		
1	1.392	1.397
2	1.705	1.637
3	1.375	1.436
4	1.393	1.396
5	1.243	1.238
6	0.01	0.01
7	0.02	0.02
8	5.589	5.53
9	0.001	0
10	0.001	0
11	2.729	2.771
12	2.729	2.687
13	2.733	2.686
14	2.733	2.757
15	2.739	2.701
16	2.739	2.725
17	2.734	3.725
18	2.734	1.656
19	5.598	5.55
20	3.277	3.253
21	5.598	5.54
22	0.001	0
23	1.395	1.734
24	3.275	3.251
25	5.574	5.51
26	1.392	1.391
27	1.392	1.391
28	0.019	3.197
29	0	0
30	0	0
IC601(MT1389S)		
1	1.728	1.694
2	1.146	1.826
3	0.874	0.883
4	3.259	3.243
5	0.002	0.002
6	0.381	0.381
7	0.391	0.361
8	0.376	0.353
9	0.382	0.346
10	1.741	1.708
11	2.004	2.048
12	2.001	2.045
13	2.003	2.056
14	2.004	2.043
15	0.769	0.439
16	0.769	0.439
17	1.996	1.982
18	1.996	2.241
19	0	0.179
20	0	0.179
21	3.213	2.352
22	3.213	2.352
23	3.237	3.242
24	2.241	2.799
25	0.773	1.367
26	0.002	0.002
27	2.516	2.764
28	1.995	2.003
29	1.389	1.388
30	1.374	1.489
31	1.579	1.364

MODE PIN NO.	STOP	PLAY
32	1.578	1.359
33	2.431	1.824
34	2.593	1.828
35	2.196	1.684
36	1.391	1.834
37	1.391	1.466
38	0.008	0.009
39	1.391	1.391
40	1.388	1.382
41	1.387	1.422
42	0.002	0.001
43	1.859	1.856
44	0.011	0.008
45	0.011	0.008
46	3.281	3.272
47	0.002	0.002
48	0.819	0.794
49	1.859	1.854
50	0.002	0.002
51	0.971	0.864
52	0.971	0.717
53	3.261	0.017
54	3.241	0.022
55	1.848	1.851
56	1.954	2.257
57	1.884	2.054
58	1.947	2.239
59	1.694	1.604
60	1.785	1.783
61	1.816	2.346
62	1.997	1.652
63	0.127	0.125
64	0.012	0.015
65	3.285	3.277
66	3.285	3.276
67	1.393	1.093
68	1.759	1.806
69	1.251	3.043
70	2.245	3.006
71	1.249	3.131
72	0.305	0.712
73	2.466	1.706
74	2.759	1.332
75	0.011	0.013
76	0.011	0.013
77	2.079	1.895
78	0.011	0.012
79	1.369	1.523
80	1.705	1.803
81	0.002	0.002
82	0.585	0.854
83	0.971	0.956
84	1.561	1.616
85	1.547	1.469
86	1.683	0.974
87	0.021	0.024
88	1.171	1.127
89	1.368	1.117
90	0.002	0.002
91	0.025	0.024
92	1.998	1.846
93	1.876	1.828
94	3.254	3.257

MODE PIN NO.	STOP	PLAY
95	3.256	3.252
96	3.286	3.276
97	0.021	0.078
98	3.227	3.232
99	3.159	3.151
100	0.128	0.127
101	3.276	3.275
102	3.276	0
103	3.276	3.277
104	3.276	3.278
105	3.251	3.278
106	3.264	3.276
107	0.023	0.024
108	3.295	3.293
109	2.991	3.011
110	0.021	0.024
111	2.293	1.965
112	0.024	0.081
113	0.972	0.659
114	0.859	0.643
115	0.982	0.648
116	1.032	0.667
117	1.507	0.945
118	3.286	3.277
119	1.129	0.876
120	1.119	0.813
121	1.251	1.317
122	0.814	0.547
123	1.731	1.323
124	1.686	1.234
125	1.414	1.245
126	1.229	0.751
127	1.175	0.727
128	1.095	0.775
129	1.326	0.739
130	0.055	0.046
131	3.286	3.276
132	2.296	1.916
133	3.001	2.834
134	3.159	3.093
135	3.065	3.066
136	2.815	2.669
137	1.473	1.532
138	1.667	1.572
139	0.038	0.093
140	0.041	0.612
141	2.061	1.647
142	1.842	1.825
143	2.304	1.994
144	1.372	1.534
145	3.286	3.277
146	1.479	1.431
147	3.261	3.276
148	0.002	0.002
149	0.032	0.039
150	0.079	0.081
151	0.051	0.054
152	1.444	1.529
153	1.489	1.561
154	1.459	1.521
155	1.516	1.503
156	3.288	3.275
157	3.127	3.125

MODE PIN NO.	STOP	PLAY
158	3.266	3.258
159	4.82	4.82
160	1.842	1.829
161	4.84	4.84
162	0.021	0.017
163	0.002	0.002
164	1.331	1.33
165	3.099	3.086
166	3.099	3.086
167	0.345	0.208
168	0.001	0.001
169	0.001	0.001
170	0.001	0.001
171	0.003	0.004
172	1.842	1.831
173	0.002	0.001
174	0.002	0.002
175	0.001	0.001
176	0.002	0.003
177	0.002	0.002
178	1.845	1.832
179	0.002	0.002
180	0.002	0.002
181	0.002	0.002
182	0.637	0.032
183	0.701	0.034
184	0.003	0.003
185	0.496	0.127
186	3.251	3.237
187	2.614	2.567
188	0.003	0.002
189	0.676	0.659
190	3.251	3.238
191	0.498	0.281
192	0.002	0.002
193	1.212	1.207
194	1.289	1.203
195	3.251	3.239
196	0.016	0.018
197	0.016	0.018
198	0.024	0.022
199	0.024	0.022
200	0.024	0.023
201	0.128	3.248
202	0.027	0.023
203	0.024	1.523
204	0.023	1.608
205	0.023	1.635
206	2.915	1.321
207	3.266	3.256
208	0.023	0.024
209	0.023	0.024
210	0.018	0.021
211	0.019	3.218
212	1.831	1.829
213	0	0
214	2.945	2.936
215	1.539	1.533
216	3.241	3.251
217	1.892	1.698
218	0.002	0.002
219	0.002	0.002
220	0.002	0.002

MODE PIN NO.	STOP	PLAY
221	1.617	1.615
222	2.261	2.249
223	1.617	1.613
224	0	0
225	1.619	1.611
226	1.617	1.611
227	1.616	1.61
228	3.286	3.249
229	3.286	3.248
230	1.618	1.614
231	1.616	1.611
232	0.003	0.003
233	3.286	3.249
234	1.841	1.827
235	0.002	0.002
236	0.003	0.003
237	1.841	1.827
238	0.871	0.868
239	0.887	0.868
240	1.071	0.864
241	1.035	0.822
242	0.002	0.002
243	3.202	3.179
244	1.636	1.641
245	0.321	1.549
246	1.986	1.543
247	0.221	1.517
248	3.259	3.244
249	0.002	0.002
250	3.259	2.243
251	0.691	1.711
252	1.375	1.366
253	3.236	1.424
254	1.368	1.788
255	0.002	0.002
256	1.723	1.718
IC602(ES29LV160ET)		
1	1.392	0.118
2	2.326	0.339
3	0.883	3.065
4	1.468	0.338
5	1.247	3.163
6	0.299	0.619
7	2.478	1.645
8	2.767	1.648
9	0.012	0.014
10	0.021	0.014
11	3.274	3.242
12	3.266	3.239
13	3.268	3.244
14	3.268	3.244
15	1.204	0.776
16	0.014	0.015
17	0.102	3.085
18	2.006	1.765
19	1.114	1.354
20	2.285	2.265
21	1.698	2.084
22	1.953	2.118
23	1.891	1.945
24	1.964	2.175
25	2.087	1.869
26	0.012	0.014

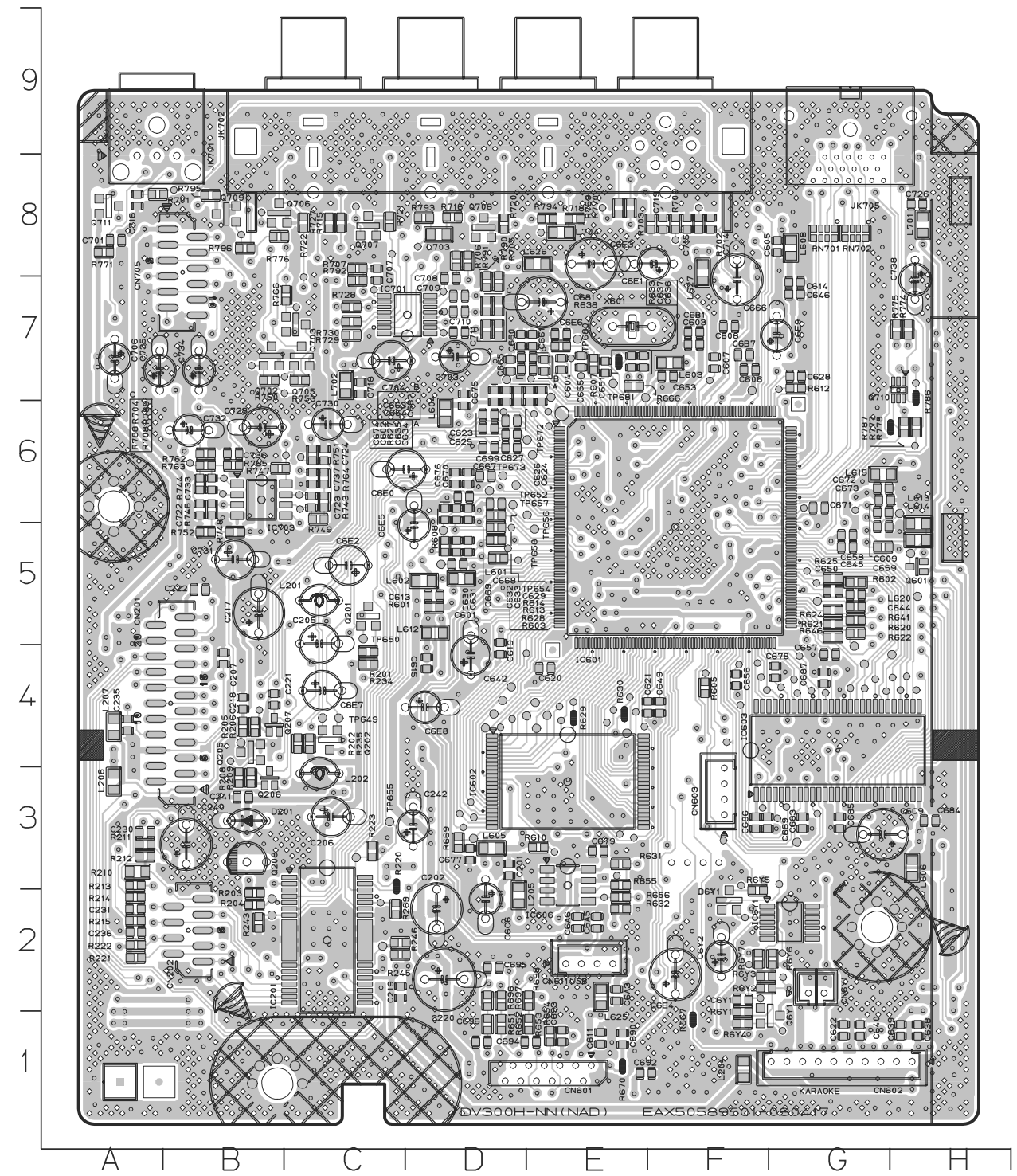
MODE PIN NO.	STOP	PLAY
27	0.002	0.001
28	0.012	0.013
29	1.376	1.561
30	0.528	0.202
31	1.706	1.766
32	0.436	0.775
33	0.961	1.188
34	0.441	0.587
35	0.588	1.134
36	0.365	0.729
37	3.267	3.241
38	1.383	1.442
39	0.432	1.291
40	1.505	1.536
41	0.413	0.847
42	1.637	1.527
43	0.447	1.028
44	1.339	1.142
45	2.012	1.846
46	0.001	0.001
47	0.001	0.001
48	0.014	0.026
IC603(HY57V64)		
1	3.281	3.239
2	1.264	1.141
3	3.281	3.239
4	1.154	1.055
5	1.145	1.077
6	0.002	0
7	1.504	1.021
8	1.005	1.241
9	3.281	3.241
10	1.003	1.069
11	0.843	0.633
12	0.002	0
13	0.968	0.782
14	3.284	3.241
15	2.316	1.389
16	3.181	3.001
17	3.022	2.748
18	3.098	2.934
19	2.856	3.239
20	1.485	1.233
21	1.679	1.229
22	0.039	0.097
23	0.411	0.715
24	2.076	1.238
25	2.318	1.775
26	1.384	1.507
27	3.279	3.241
28	0.002	

LOCATION	SPEC	PLAY	
		+	-
C642	33 μ F/16V	1.858	0.002
C666	100 μ F/6.3V	3.244	0.003
C6C1	10 μ F/16V	12.251	0
C6C2	10 μ F/16V	11.556	0
C6C6	10 μ F/16V	3.257	0.001
C6C9	220 μ F/16V	3.259	0.001
C6E0	47 μ F/6.3V	2.758	0.001
C6E1	10 μ F/16V	1.372	0.002
C6E2	47 μ F/6.3V	1.396	0.002
C6E3	220 μ F/6.3V	3.239	0.003
C6E4	220 μ F/6.3V	3.268	0
C6E5	10 μ F/16V	3.261	0.002
C6E6	100 μ F/6.3V	3.165	0.003
C6E7	47 μ F/6.3V	2.012	0.002
C6E8	10 μ F/16V	1.852	0.002
C6E9	10 μ F/16V	3.227	0.002
C202	220 μ F/6.3V	3.257	0.001
C205	47 μ F/6.3V	3.252	3.209
C206	47 μ F/6.3V	3.252	2.254
C217	100 μ F/6.3V	4.884	0.002
C220	220 μ F/16V	5.515	0.016
C240	220 μ F/6.3V	1.888	0.001
C242	10 μ F/16V	3.266	0.002
C703	22 μ F/16V	2.438	0.002
C704	47 μ F/6.3V	4.859	0.002
C706	10 μ F/16V	4.817	0.002
C728	47 μ F/16V	12.256	0.145
C730	22 μ F/16V	5.595	1.609
C731	47 μ F/16V	5.599	0.002
C732	22 μ F/16V	5.595	1.611
C734	22 μ F/16V	5.595	0.006
C735	22 μ F/16V	5.595	0.006

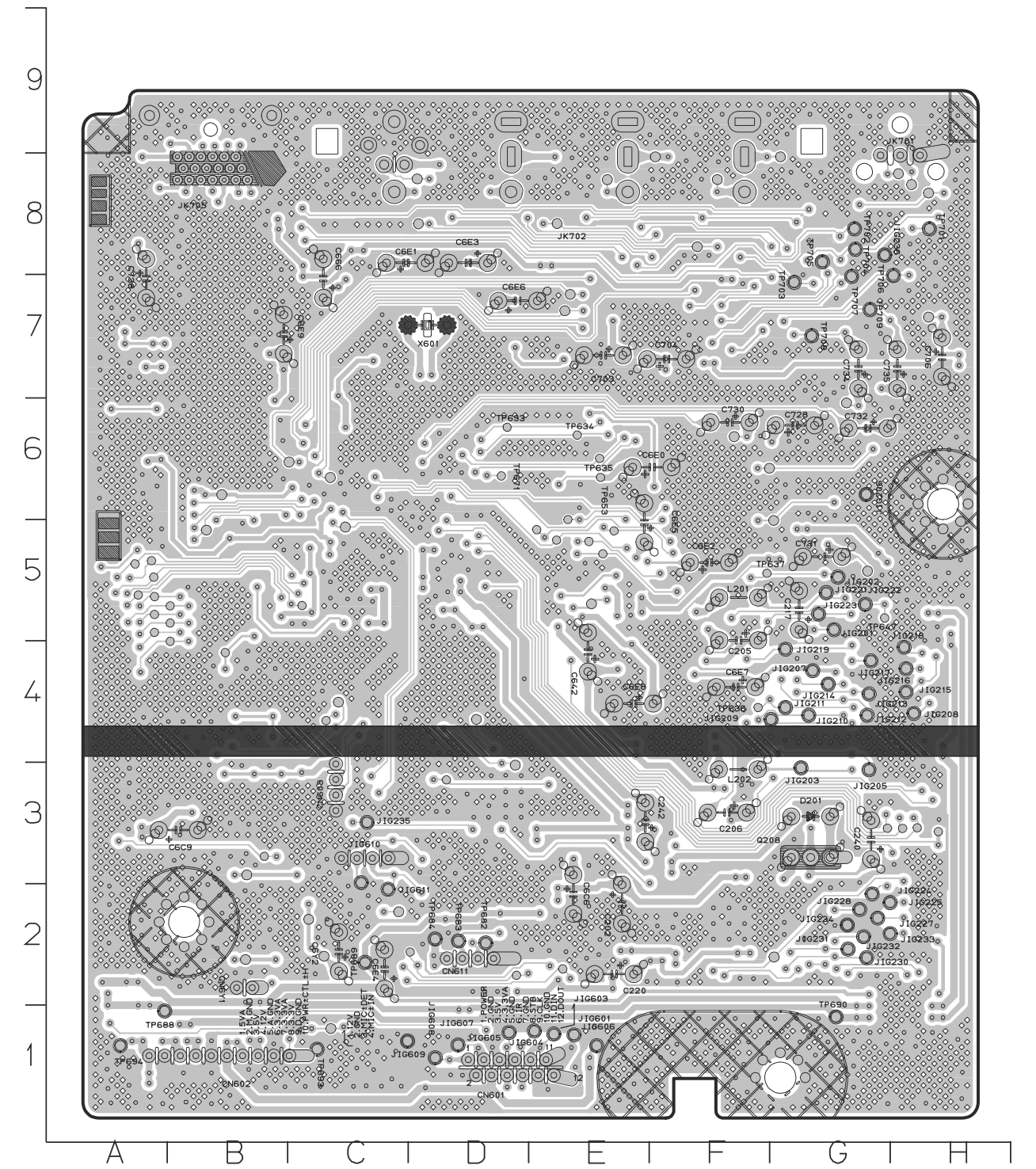
PRINTED CIRCUIT BOARD DIAGRAMS

1. MAIN P.C.BOARD

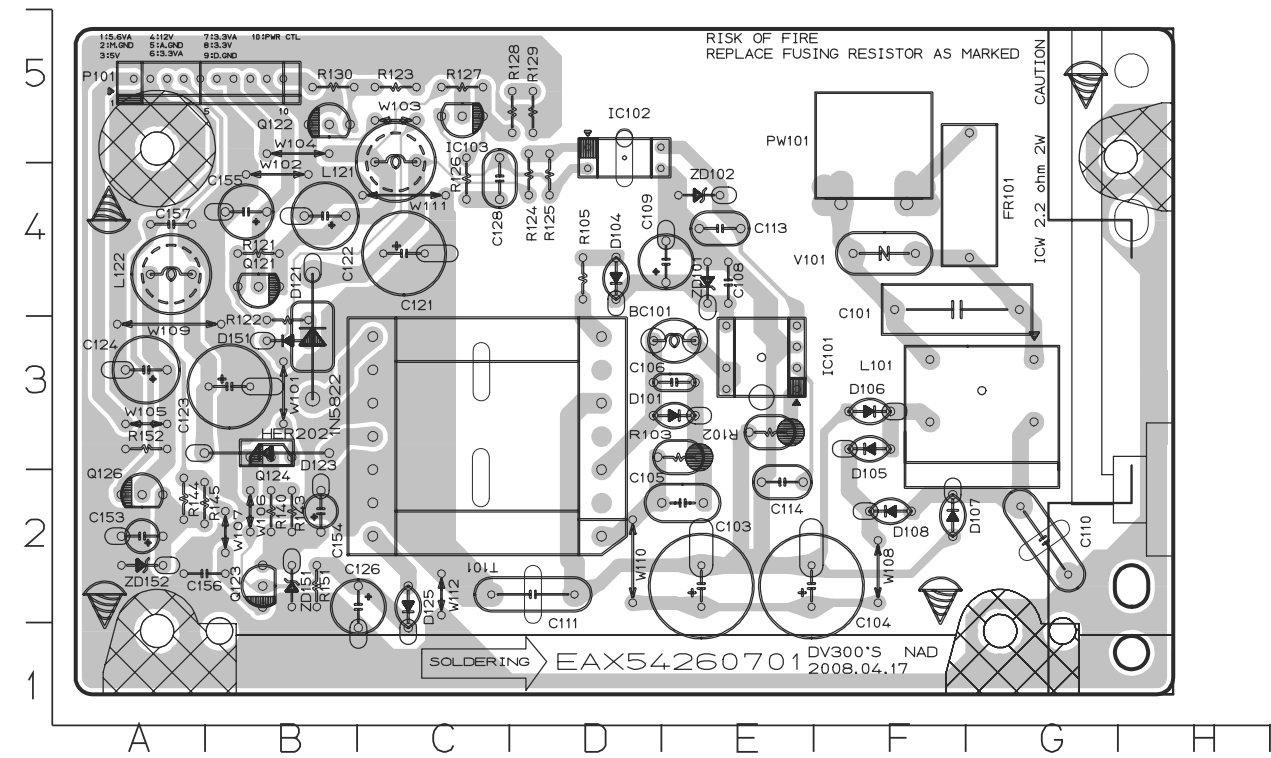
(TOP VIEW)



(BOTTOM VIEW)

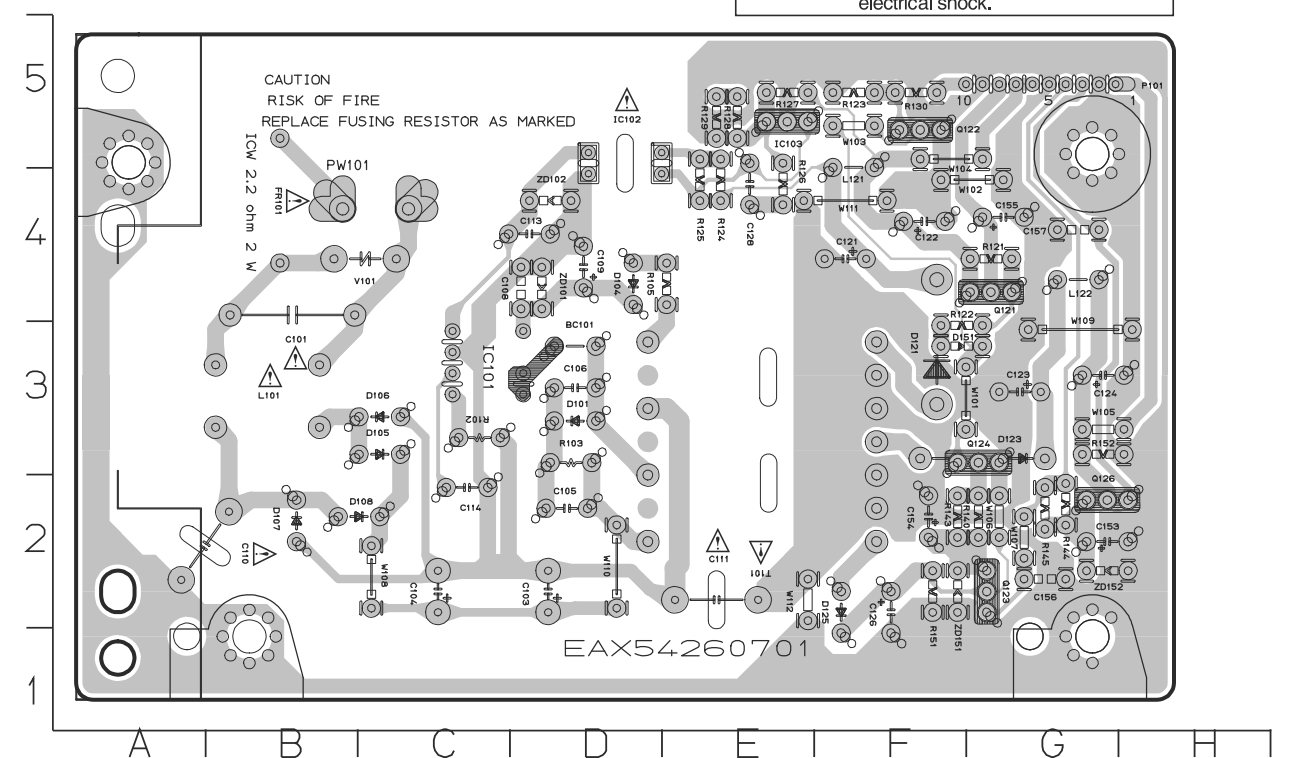


**2. POWER (SMPS) P.C.BOARD
(TOP VIEW)**

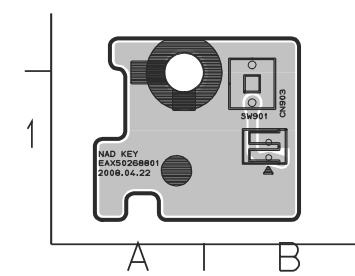


(BOTTOM VIEW)

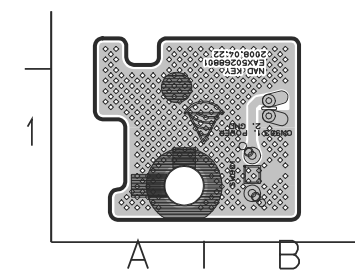
NOTE) ⚠ Warning
Parts that are shaded are critical
with respect to risk of fire or
electrical shock.



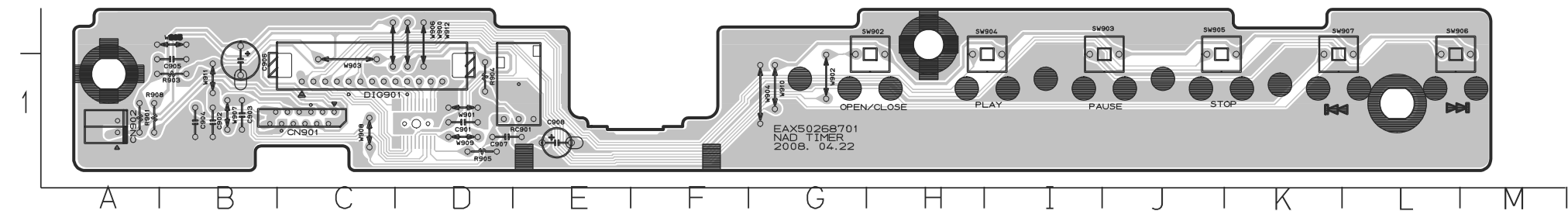
**3. KEY P.C.BOARD
(TOP VIEW)**



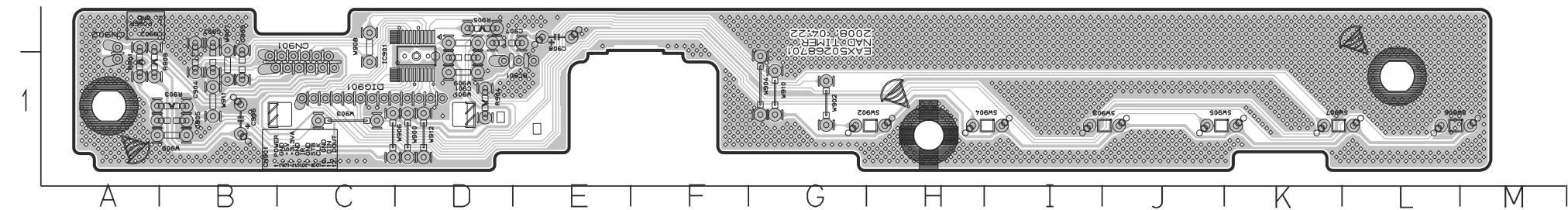
(BOTTOM VIEW)



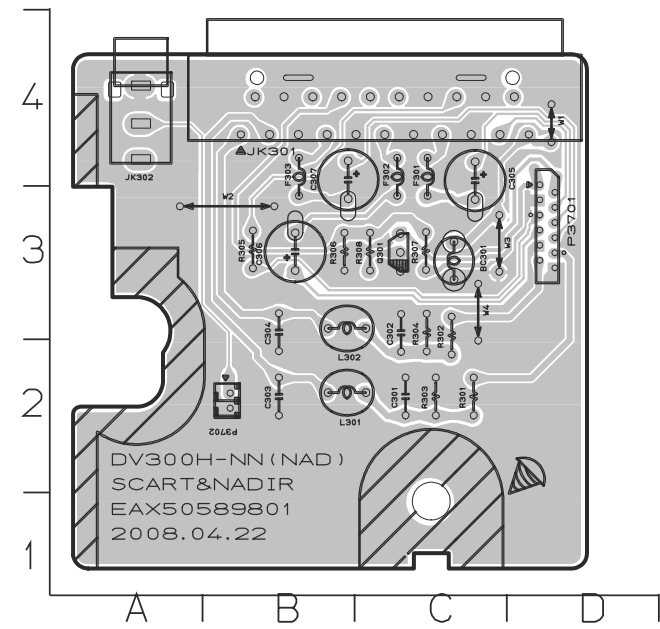
**4. TIMER P.C.BOARD
(TOP VIEW)**



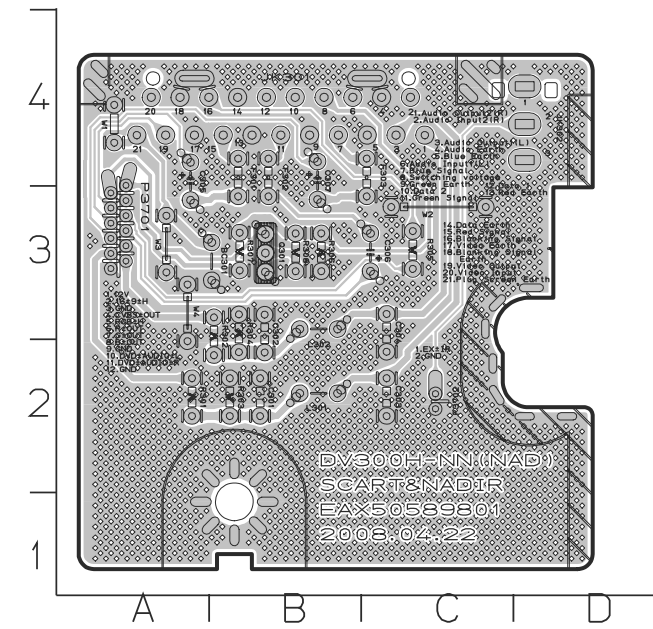
(BOTTOM VIEW)



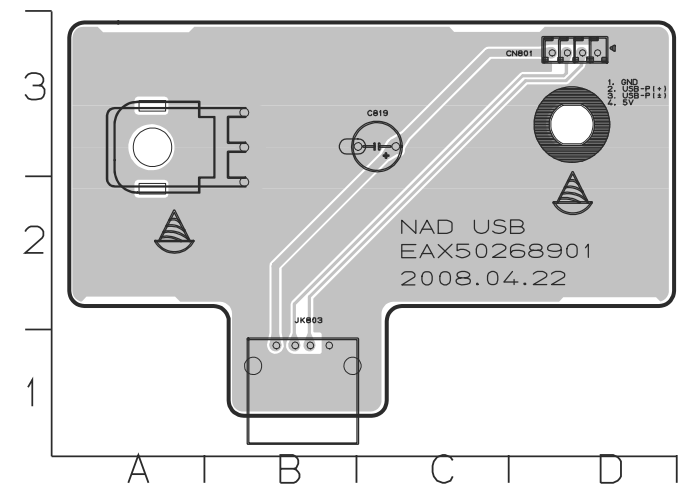
5. SCART P.C.BOARD (OPTION)
(TOP VIEW)



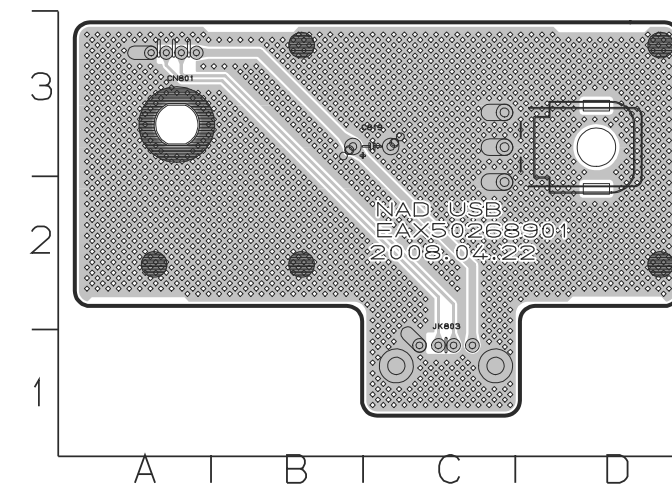
(BOTTOM VIEW)



6. USB P.C.BOARD
(TOP VIEW)



(BOTTOM VIEW)



SECTION 4

MECHANISM (DP-12V)

CONTENTS

DECK MECHANISM PARTS LOCATIONS

• Top View.....	4-2
• Top View(without Tray Disc)	4-2
• Bottom View	4-2

DECK MECHANISM DISASSEMBLY

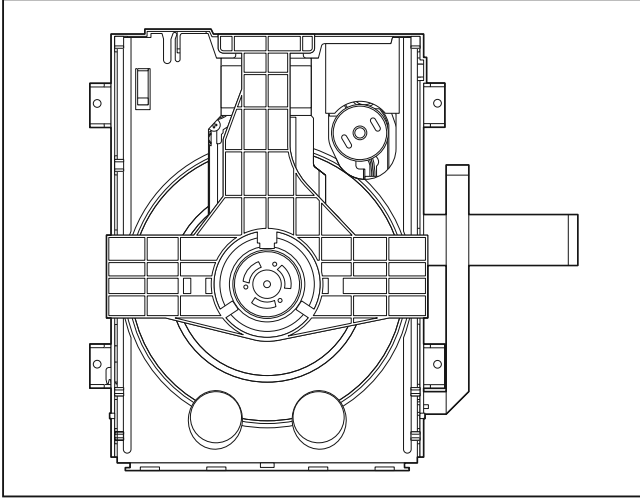
1. Main Base	4-3
1-1. Clamp Assembly Disc	4-3
1-1-1. Plate Clamp	4-3
1-1-2. Magnet Clamp	4-3
1-1-3. Clamp Upper	4-3
2. Tray Disc	4-3
3. Base Assembly Sled	4-4
3-1. Gear Feed.....	4-4
3-2. Gear Middle	4-4
3-3. Gear Rack.....	4-4
4. Rubber Rear.....	4-4
5. Frame Assembly Up/Down.....	4-5
6. Belt Loading	4-5
7. Gear Pulley	4-5
8. Gear Loading	4-5
9. Guide Up/Down	4-5
10. PWB Assembly Loading.....	4-5
11. Base Main.....	4-5

EXPLODED VIEW

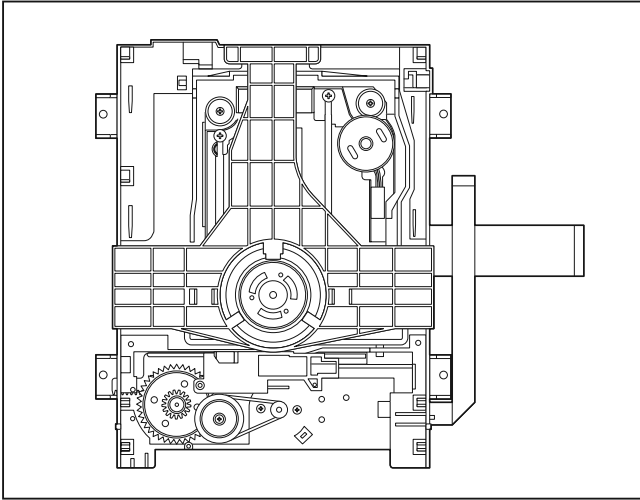
1. Deck Mechanism Exploded View	4-7
--	------------

DECK MECHANISM PARTS LOCATION

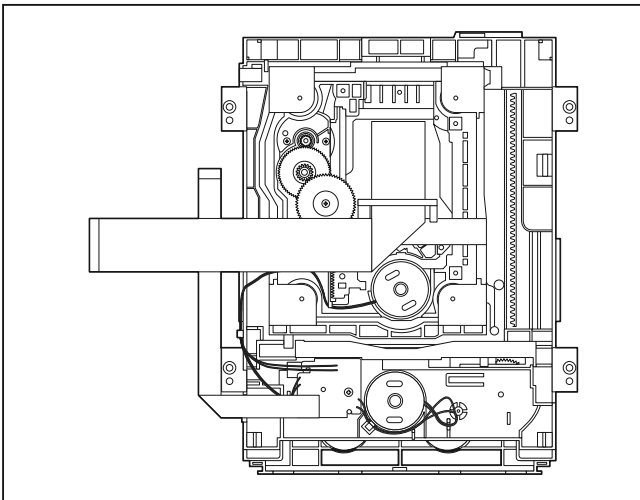
• TOP VIEW (WITHOUT TRAY)



• TOP VIEW (WITH TRAY)



• BOTTOM VIEW



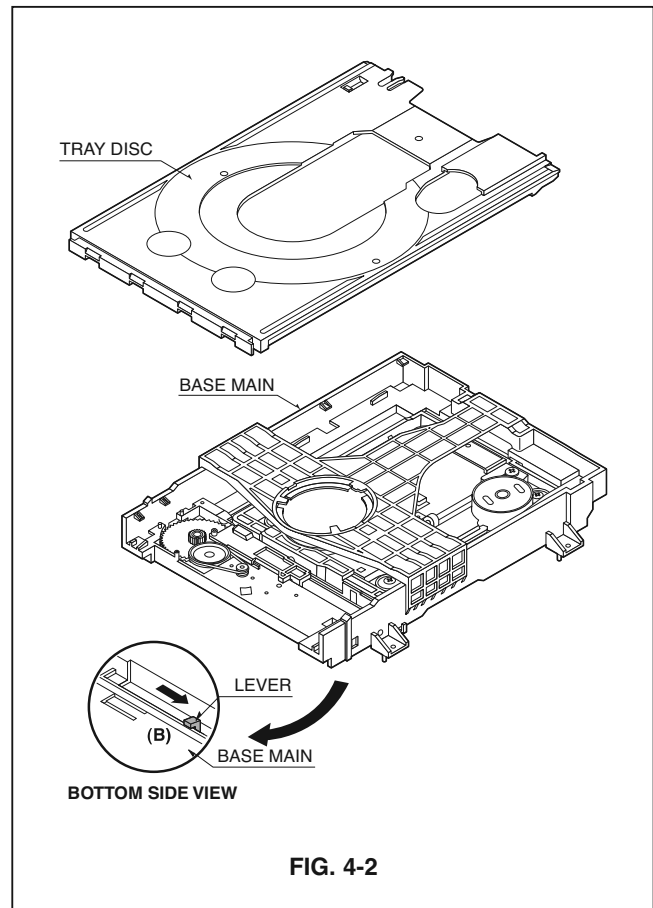
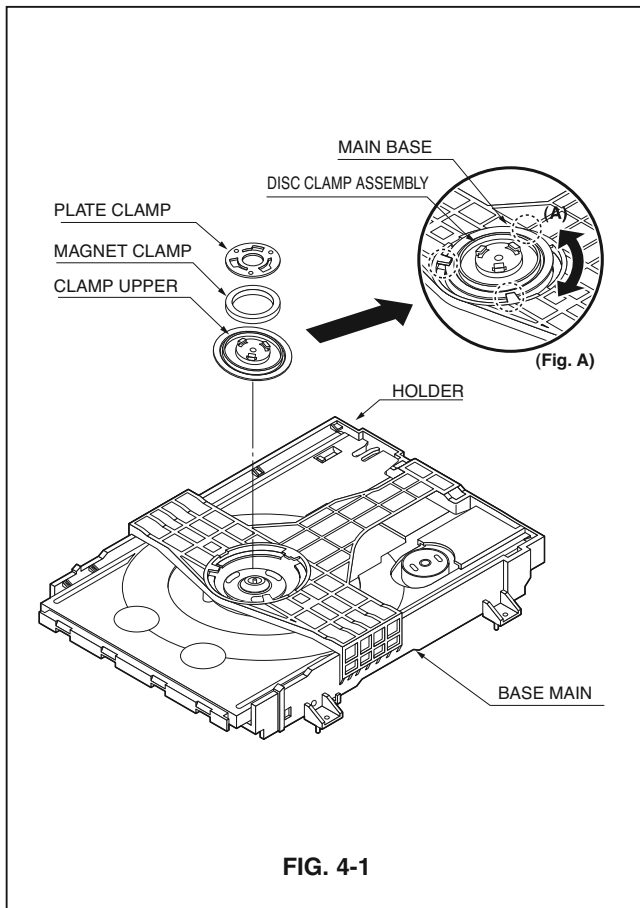
Procedure		Parts	Fixing Type	Disassembly	Figure
Starting No.					
	1	Main Base			4-1
1	2	Clamp Assembly Disc			4-1
1, 2	3	Plate Clamp			4-1
1, 2, 3	4	Magnet Clamp			4-1
1, 2, 3, 4	5	Clamp Upper			4-1
1	6	Tray Disc			4-2
1, 6	7	Base Assembly Sled			4-3
1, 2, 6	8	Gear Feed	4 Screws, 1 Connector 1 Locking Tabs		4-3
1, 2, 6, 8	9	Gear Middle			
1, 2, 6, 8, 9	10	Gear Rack	1 Screw		4-3
1, 2, 7	11	Rubber Rear			4-3
1, 2, 7	12	Frame Assembly Up/Down	1 Screw	Bottom	4-4
1, 2	13	Belt Loading	1 Locking Tab		4-4
1, 2, 13	14	Gear Pulley			4-4
1, 2, 13, 14	15	Gear Loading	1 Locking Tab		4-4
1, 2, 7, 12, 13, 14	16	Guide Up/Down			4-4
1, 2, 13	17	PWB Assembly Loading	1 Locking Tab 1 Hook 2 Screw	Bottom	4-4
1, 2, 7, 12, 13, 14, 15, 16, 17	18	Base Main	2 Locking Tabs		4-4

Note

When reassembling, perform the procedure in reverse order.

The "Bottom" on Disassembly column of above Table indicates the part should be disassembled at the Bottom side.

DECK MECHANISM DISASSEMBLY



1. MAIN BASE (FIG. 4-1)

1-1. Clamp Assembly Disc

- 1) Place the Clamp Assembly Disc as Fig. (A)
- 2) Lift up the Clamp Assembly Disc in direction of arrow(A).
- 3) Separate the Clamp Assembly Disc from the Holder Clamp.

1-1-1. Plate Clamp

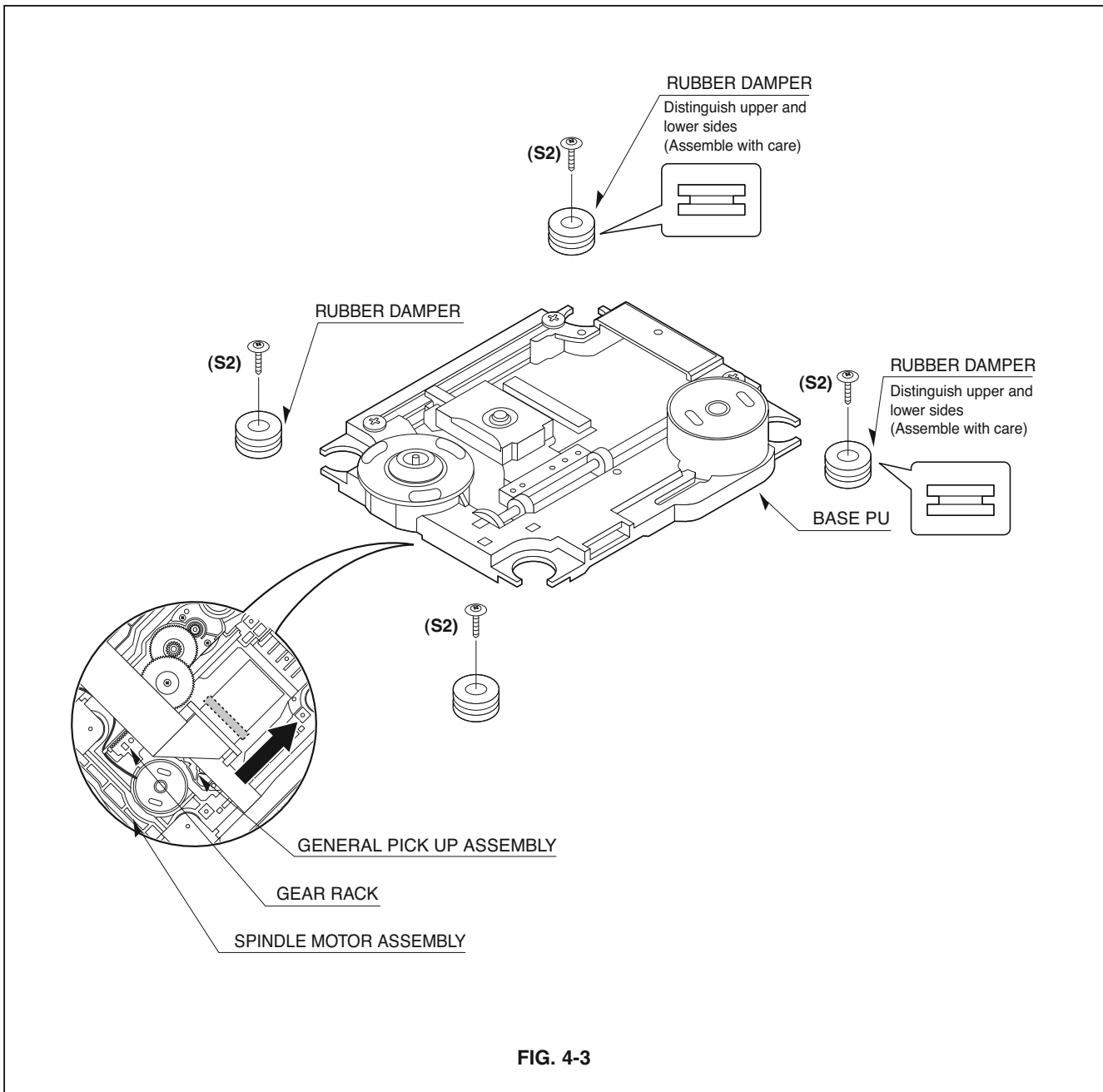
- 1) Turn the Plate Clamp to counterclockwise direction and then lift up the Plate Clamp.

1-1-2. Magnet Clamp

1-1-3. Clamp Upper

2. TRAY DISC (FIG. 4-2)

- 1) Insert and push a Driver in the emergency eject hole(A) at the right side, or put the Driver on the Lever(B) of the Gear Emergency and pull the Lever(B) in direction of arrow so that the Tray Disc is ejected about 15~20mm.
- 2) Pull the Tray Disc until it is separated from the Base Main completely.



3. BASE ASSEMBLY SLED (FIG. 4-3)

- 1) Release 4 Screw (S2).
- 2) Disconnect the FFC Connector (C1)

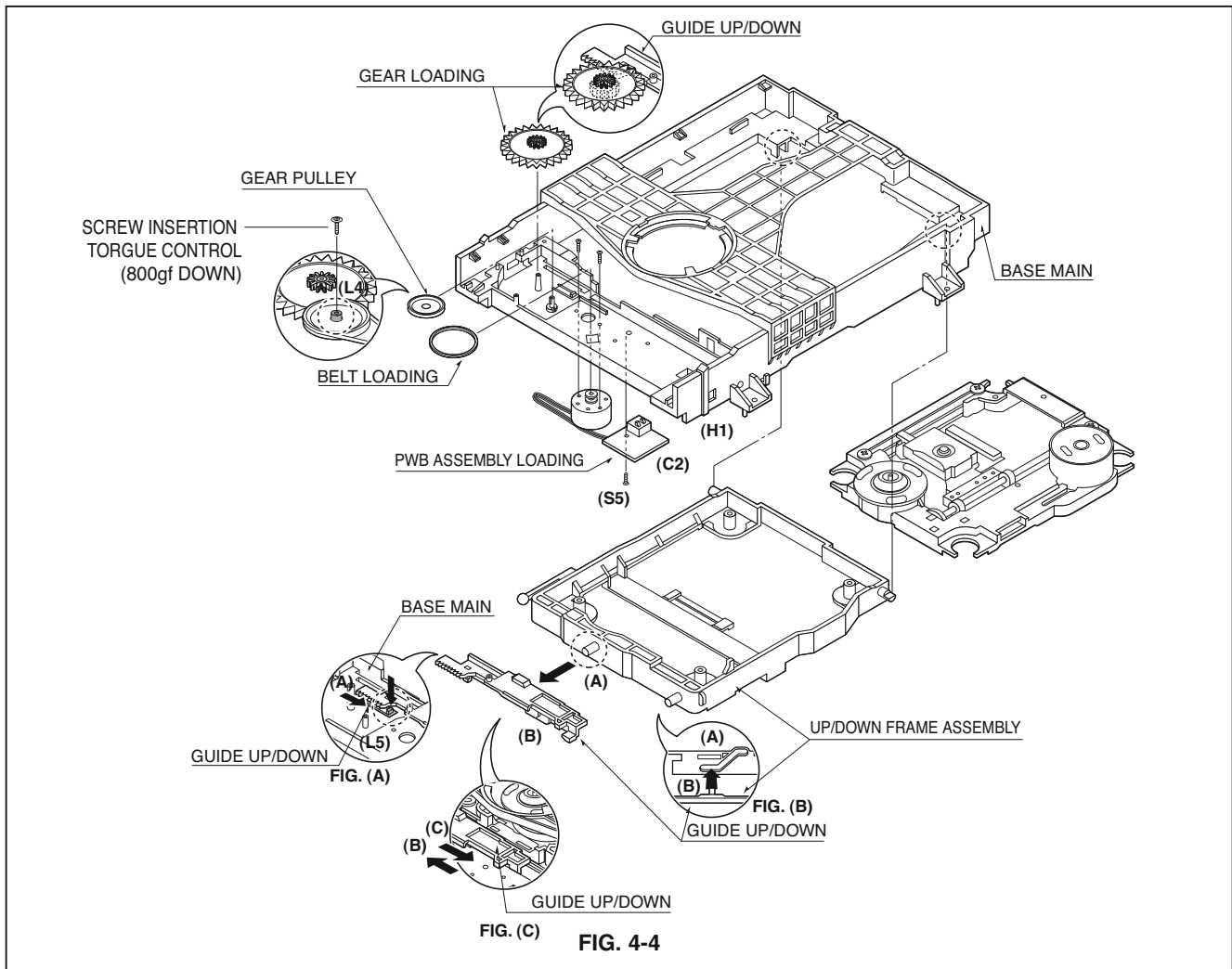
3-1. Gear Feed

3-2. Gear Middle

3-3. Gear Rack

- 1) Release the Scerw (S3)

4. RUBBER REAR (FIG. 4-3)



5. FRAME ASSEMBLY UP/DOWN (FIG. 4-4)

Note

Put the Base Main face down (Bottom Side)

- 1) Release the screw (S4)
- 2) Unlock the Locking Tab (L3) in direction of arrow and then lift up the Frame Assembly Up/Down to separate it from the Base Main.

Note

- When reassembling move the Guide Up/Down in direction of arrow(C) until it is positioned as Fig.(C).
- When reassembling insert (A) portion of the Frame Assembly Up/Down in the (B) portion of the Guide Up/Down as Fig.(B)

6. BELT LOADING(FIG. 4-4)

Note

Put the Base Main on original position(Top Side)

7. GEAR PULLEY (FIG. 4-4)

- 1) Unlock the Locking Tab(L4) in direction of arrow(B) and then separate the Gear Pulley from the Base Main

8. GEAR LOADING (FIG. 4-4)

9. GUIDE UP/DOWN (FIG. 4-4)

- 1) Move the Guide Up/Down in direction of arrow(A) as Fig.(A)
- 2) Push the Locking Tab(L5) down and then lift up the Guide Up/Down to separate it from the Base Main.

Note

When reassembling place the Guide Up/Down as Fig.(C) and move it in direction arrow(B) until it is locked by the Locking Tab(L5). And confirm the Guide Up/Down as Fig.(A)

10. PWB ASSEMBLY LOADING (FIG. 4-4)

Note

Put the Base Main face down(Bottom Side)

- 1) Release 1 Screws(S5)
- 2) Unlock the Loading Motor (C2) from the Hook (H1) on the Base Main.
- 3) Unlock 2 Locking Tabs(L6) and separate the PWB Assembly Loading from the Base Main.

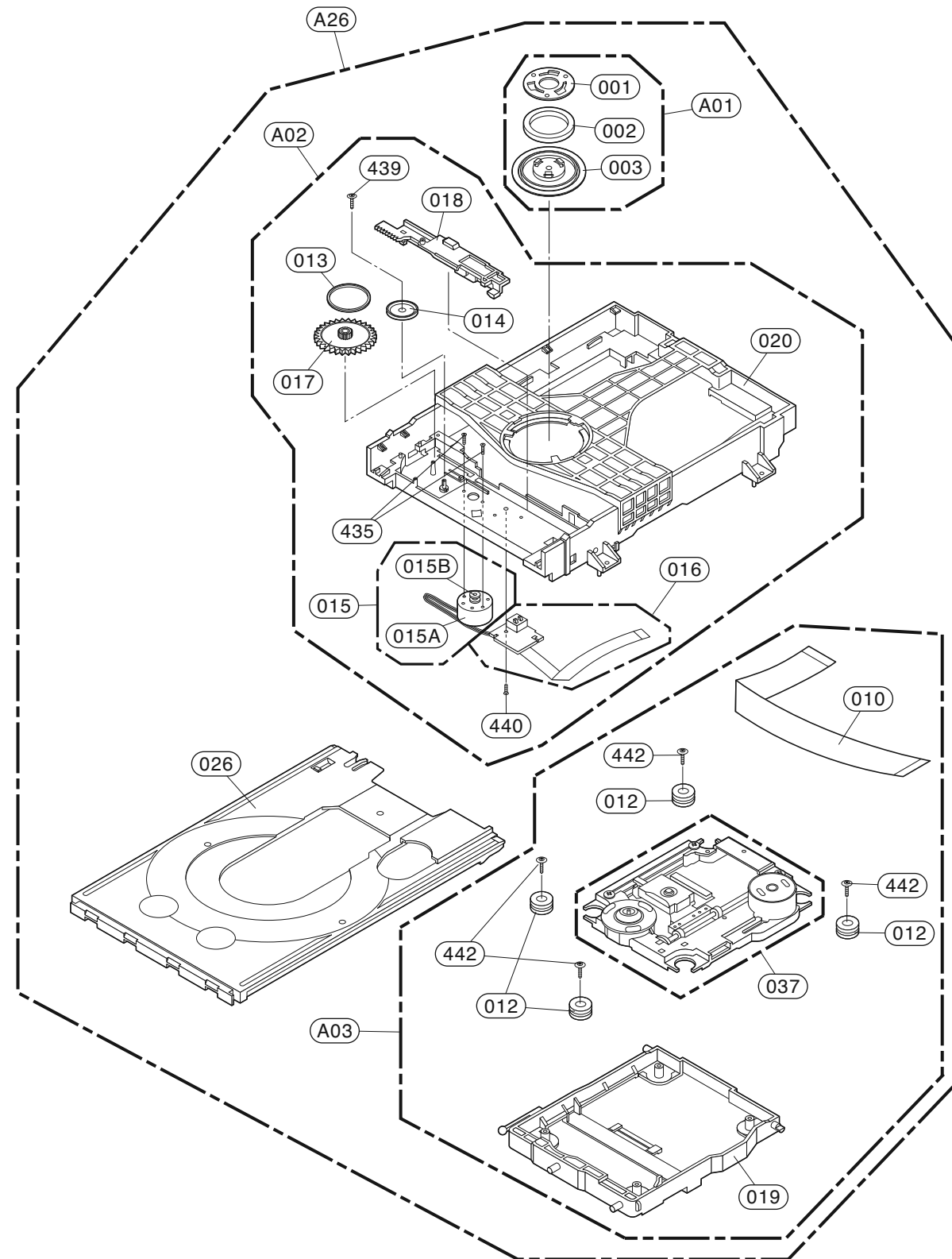
11. BASE MAIN (FIG. 4-4)

MEMO

A series of horizontal dotted lines for writing.

EXPLODED VIEW

1. DECK MECHANISM EXPLODED VIEW DP-12V




MEMO

A series of horizontal dotted lines for writing.

MEMO

A series of horizontal dotted lines for writing.

NOTES) If you want to purchase
Flash memory, you must order
" IC602A "


NOTES)  Warning
Parts that are shaded are critical with
respect to risk of fire or electrical
shock.

SECTION 5 REPLACEMENT PARTS LIST

MODEL : T517C/T517CT(NAD,SWEDEN)

Not Service Part

RUN DATE : 17-JUNE-08

S	AL	LOCA. NO.	PART NO.	DESCRIPTION	SPECIFICATION	REMARKS
*** INDIVIDUAL PARTS ***						
		250	MBN42830502	Case	PRESS PCM 0.825 DV302H-NE PRES	T517C
		250	MBN42830501	Case	PRESS PCM 0.825 DV302H-NE PRES	T517CT
		275	MGJ37320101	Plate,Ground	PRESS STS 301 0.2mm MDD102 USB	
		276	MEG40359801	Holder	MOLD HIPS 60HR DVD DV300 MOLD	
		283	3580R-T229C	Door,Case	MOLD ABS HF-380 DVD DVN156 (GR	T517C
		283	3580R-T229D	Door,Case	MOLD ABS HF-380 DVD DVN156 (TI	T517CT
		300	6410RCHP04A	Power Cord Assembly	HIT-101/H03VVH2-F/2X0.75MM2/70	
		460	1SZZR-0098H	Screw,Customized	- + 3MM 8MM MSWR FZW SIN JIN	T517C
		463	1SZZR-0098G	Screw,Customized	1SZZR-0098G FH + 3MM 8MM MSWR	T517CT
		461	1SZZR-0098L	Screw,Customized	- + 3MM 16MM MSWR NI PLT SIN	
		462	1SZZR-0098J	Screw,Customized	1SZZR0098J BH + 3MM 6.5MM MSWR	
		463	1SZZR-0098G	Screw,Customized	1SZZR-0098G FH + 3MM 8MM MSWR	
		465	1SZZR-0097N	Screw,Customized	- + 3MM 8MM MSWR FZB SIN JIN	
		470	353-022S	Screw,Customized	BZN BK (CR +3) SPECIAL + 3MM 6	
		801	AFN52750438	Manual Assembly,Owners	DVD DV302H-E.BSWENNK/T ASS'Y	
		802	MAY46749440	Box,Master	BOX SW3 519 136 299 2 COLOR DV	T517C
		802	MAY46749442	Box,Master	BOX SW3 519 136 299 2 COLOR DV	T517CT
		803	MFZ47272604	Packing	CUTTING EPS DVD DV300-N_NAD 91	
		804	3880SCS001G	Bag	CUTTING HDPE 100 100 0.05 BAG	NSP
		808	534-008C	Dry Cell Battery	AAA(R03) 1PAIR 1.5V 50MAH AAA	
		900	6711R2N124D	Remote Controller Assembly	NAD DV302H-NE 08 DVD-P NAD	
*** Accessory Assembly ***						
		810	6851R-0074B	Accessory Assembly	VCR LGEIN 1WAY YELLOW 1.2M + 2	
		811	6850R-PAA2F	Cable,Assembly	RCA PLUG RCA PLUG 1.2M 1P YELL	
		812	6850R-PBA2H	Cable,Assembly	RCA PLUG RCA PLUG 1.2M 2P RED/	
*** Deck Assembly,DVD(MD) ***						
		A26	EAZ38311314	Deck Assembly,DVD	DECK/MECHA DP-12V player (IN)	NSP
		A02	AAN34279702	Base Assembly	DP-12 Loading 430mm	
		013	4400R-0010A	Belt	MOLD RUBBER DVD DP-9 OTHER LOA	
		014	4470R-0154A	Gear	COMPLEX DVD DECK/MECHA DP8 PUL	
		015	4681R-A015C	Motor Assembly,DC	DVD DP-9 loading	
		017	4470R-0176A	Gear	MOLD POM DVD DP-9 LOADING MO	
		435	1SZZR-0011A	Screw,Customized	MACHINE	
		439	1SZZR-0075A	Screw,Customized	- + 1.7MM 10MM SWRCH FZW SIN	
		440	1SZZH-1007B	Screw,Customized	+ D2.0 6MM SWRCH16A/ZNBK 4MM 1	
		015A	4680R-E008A	Motor,DC	RF-300EA-1D390(80MM) 2V 90MA 2	NSP
		015A	EAU36590901	Motor,DC	FC08I20TLG-1 2V 100MA 0A 1.37K	NSP
		015A	EAU43506801	Motor,DC	JQ24-35H390 2V 90A 28A 0RPM 0R	NSP
		015B	4560R-0008A	Pulley	MOLD POM DVD MD MOLD -	
		016	EBR34880104	PCB Assembly	DP-12 FEEDING/LOADING -430mm	
		018	MEA32088501	Guide	MOLD POM(LUCEL N109-LD) DVD PO	
		020	MAM38555601	Base	MOLD ABS XR-401 DP-13 MOLD mai	NSP
		A03	AAN34281204	Base Assembly	DP-12V Sled 430mm	
		010	EAD34861101	Cable,FFC	AT10023270D01 270MM 1.00MM 23P	
		012	MCQ38556902	Damper	EXTRUSION BUTYL RUBBER DECK/ME	
		019	MDQ38556002	Frame	MOLD ABS XR-401 DP-12 MOLD up	
		037	EAZ40060202	Pick Up Assembly	CMS-S77RFV(1) CMS-S77RFV(1) IM	

S	AL	LOCA. NO.	PART NO.	DESCRIPTION	SPECIFICATION	REMARKS
		442	FAB30124101	Screw,Taplite	1szzr-0064 PWH + B 2.6MM 7MM S	
		A01	ACA34280801	Clamp Assembly	DECK/MECHA DP-12/13 ferrite ty	
		001	MGJ38556601	Plate	PRESS SECC 0.8 dp-13 PRESS upp	NSP
		002	RAB30611501	Magnet,Ferrite	FERRITE 50G	NSP
		003	MBU38556801	Clamp	MOLD POM DECK/MECHA dp-13 MOLD	NSP
		026	MJS31956302	Tray	MOLD ABS XR-401 DVD dp-12 MOLD	
*** PCB Assembly,Power(POWER) ***						
		A47	EBR42200724	PCB Assembly,Power	DV300'S SMPS IN WIDE NAD Total	
		BC101	636-004C	Filter,Bead	BFS3550R2FD8 70OHM 9X3.5X7.5MM	
		C101	624-088F	Capacitor,Film,DIP	PCX2 335 M9663 100nF 10% 275V	
		C101	624-088J	Capacitor,Film,Box	ECQU2A104ML 0.1uF 20% 250V MPE	ALTERNATE
		C101	624-088L	Capacitor,Film,DIP	435D UL 250V/ VDE 275V 104 K 1	ALTERNATE
		C101	624-088N	Capacitor,Film,Box	MPX104K2YL UL 250V/ VDE 275V 0	ALTERNATE
		C103	0CZZR00011B	Capacitor,Unclassified	SAMYOUNG,SAMWHA,G-LUXON E-CAP	
		C104	0CZZR00011B	Capacitor,Unclassified	SAMYOUNG,SAMWHA,G-LUXON E-CAP	
		C105	0CQ1031Y519	Capacitor,Film,DIP	230S 2J 103 K 10nF 10% 630V MP	
		C106	624-087S	Capacitor,Unclassified	47PF D 1KV 10% TR B(Y5P)	
		C108	0CN1040K948	Capacitor,Ceramic,Axial	CH UP050 F104Z-A-B Z 100nF -20	
		C109	624-085D	Capacitor,AL,Radial	KME5.0TP50VB47M 47uF 20% 50V 1	
		C111	0CG2220U630	Capacitor,Ceramic,Radial	SDE2G222M12BW1 2200pF 20% 400V	
		C113	0CQ1521N409	Capacitor,Film,DIP	HPE 2A 152J TP 1.5nF 5% 100V P	
		C114	0CQ4721N409	Capacitor,Film,DIP	310M 2A 472 J 4.7nF 5% 100V PE	
		C121	0CE108BD630	Capacitor,AL,Radial	RUS1A102MIS 1000uF 20% 10V 626	
		C122	0CE3376D638	Capacitor,AL,Radial	SMS5.0TP10VB330M 330uF 20% 10V	
		C123	0CE108EF630	Capacitor,AL,Radial	KMG5.0MC16VB1000M 1000uF 20% 1	
		C123	0CE108BF630	Capacitor,AL,Radial	KME4.0CC16VB1000M 1000uF 20% 1	ALTERNATE
		C124	0CE3376D638	Capacitor,AL,Radial	SMS5.0TP10VB330M 330uF 20% 10V	
		C126	624-085D	Capacitor,AL,Radial	KME5.0TP50VB47M 47uF 20% 50V 1	
		C128	0CQ1042K409	Capacitor,Film,DIP	310M 1H 104 J 100nF 5% 50V PE	
		C153	0CE4754K638	Capacitor,AL,Radial	ESS475M050T1A5B07G 4.7uF 20% 5	
		C154	0CE1054K638	Capacitor,AL,Radial	ESS105M050T1A5B07G 1uF 20% 50V	
		C155	0CE1076F638	Capacitor,AL,Radial	SMS5.0TP16VB100M 100uF 20% 16V	
		C156	0CN223AK948	Capacitor,Ceramic,Axial	CH UP050 F223Z-A-B Z 22nF -20T	
		C157	0CN223AK948	Capacitor,Ceramic,Axial	CH UP050 F223Z-A-B Z 22nF -20T	
		D101	0DRRE00163A	Diode,Rectifier	1F7 1KV 1.3V 5UA 25A 500NSEC R	
		D101	0DD221009AA	Diode,Rectifier	ERA22-10 1KV 1.5V 10UA 10A 400	ALTERNATE
		D101	0DR400709AA	Diode,Rectifier	10SP07U(SUF4007SP) 1KV 1.7V 5U	ALTERNATE
		D104	0DR104009BA	Diode,Rectifier	RL104F 400V 1.3V 5UA 30A 150NS	
		D104	0DRGF00239A	Diode,Rectifier	FR104E 400V 1.3V 5UA 30A 150NS	
		D104	0DD010009AC	Diode,Rectifier	EU01W(R-FORM) 400V 2.5V 10UA 1	
		D105	0DRRE00203A	Diode,Rectifier	1A7 600V 1.1V 5UA 25A - R1 TP	
		D105	0DRGF00309A	Diode,Rectifier	1A5 600V 1.1V 1A 25A 1NSEC R1	
		D106	0DRRE00203A	Diode,Rectifier	1A7 600V 1.1V 5UA 25A - R1 TP	
		D106	0DRGF00309A	Diode,Rectifier	1A5 600V 1.1V 1A 25A 1NSEC R1	
		D107	0DRRE00203A	Diode,Rectifier	1A7 600V 1.1V 5UA 25A - R1 TP	
		D107	0DRGF00309A	Diode,Rectifier	1A5 600V 1.1V 1A 25A 1NSEC R1	
		D108	0DRRE00203A	Diode,Rectifier	1A7 600V 1.1V 5UA 25A - R1 TP	
		D108	0DRGF00309A	Diode,Rectifier	1A5 600V 1.1V 1A 25A 1NSEC R1	
		D121	0DR158220AA	Diode,Schottky	1N5822 950MV 40V 3A 1NSEC 250p	
		D123	0DR202000AB	Diode,Rectifier	HER202 100V 1V 5UA 60A 50NSEC	
		D123	0DSTW00070A	Diode,Rectifier	HER202-TSC 100V 1V 5UA 60A 50N	ALTERNATE
		D125	0DR104009BA	Diode,Rectifier	RL104F 400V 1.3V 5UA 30A 150NS	
		D125	0DRGF00239A	Diode,Rectifier	FR104E 400V 1.3V 5UA 30A 150NS	
		D125	0DD010009AC	Diode,Rectifier	EU01W(R-FORM) 400V 2.5V 10UA 1	
		D151	0DS141489BB	Diode,Switching	1N4148(26MM) 1V 100V 150MA 500	
		D151	0DD133009AA	Diode,Switching	1SS133 1.2V 90V 400MA 600MA 4N	ALTERNATE
		FR101	ORM0221K634	Resistor,Cement	ICW02M22R20J 2.2OHM 5% 2W 27X1	

S	AL	LOCA. NO.	PART NO.	DESCRIPTION	SPECIFICATION	REMARKS
		IC101	EAN34789801	IC,PWM Controller	STR-A6259H 12.9V TO 15.7V 10V	
		IC102	6500RDB011B	Sensor,Position	K1010B 5V DIP BK 4P 4PIN PHOTO	
		IC102	657-063A	Sensor,Position	LTV-817B 5V DIP BK 2P PHOTO CO	ALTERNATE
		IC103	0IPMGUC004B	IC,LDO Voltage Regulator	TL431 MAX12V 3.3V 600MW TO92 T	
		IC103	0IKE431000A	IC,Voltage Regulator	KIA431 36V 36V 700MW TO92 TP 3	ALTERNATE
		IC103	0ISS431000A	IC,Voltage Regulator	KA431AZ 2.495TO36V 36V 770MW T	ALTERNATE
		L101	EAM34728301	Filter,Line Noise	LFU1116H2-01300 35MH 19X18X16M	
		L121	633-088G	Coil,Choke	22KS 22uH - - 8X17MM LEAD - G	
		L121	6200J000147	Filter,Unclassified	LPL0813T-220K ABCO TAPING	
		L121	6140R-C011A	Coil,RF	6140R-C011A 22uH - - 8X17MM LE	
		L122	633-088G	Coil,Choke	22KS 22uH - - 8X17MM LEAD - G	
		L122	6200J000147	Filter,Unclassified	LPL0813T-220K ABCO TAPING	
		L122	6140R-C011A	Coil,RF	6140R-C011A 22uH - - 8X17MM LE	
		P101	6631R-E078Q	Harness,Single	GIL-S10/9073 10ST 60mm GIL-S-1	
		PW101	6630V90108A	Connector,Wafer	JE202-2L-03 2P 3.96MM 1R ANGLE	
		Q121	0TR127109AA	TR,Bipolar	KTA1271Y PNP -5V -35V -30V -0.	
		Q122	0TR319809AC	Transistor Assembly	KTC3198 KTC3198 TP KEC - - -BL	
		Q122	0TR319909AF	TR,Bipolar	KTC3199-BL NPN 5V 50V 50V 150M	ALTERNATE
		Q122	0TR534309BA	TR,Bipolar	2SC5343L NPN 5V 60V 50V 150MA	ALTERNATE
		Q123	0TR320309AA	TR,Bipolar	KTC3203 NPN 5V 35V 30V 800MA 1	
		Q123	0TR534409AA	TR,Bipolar	2SC5344Y NPN 5V 35V 30V 800MA	ALTERNATE
		Q124	0TR220309AF	TR,Bipolar	SRA2203 PNP -40V - -50V -0.1A	
		Q124	0TR103009AF	TR,Bipolar	KRA103M(KRA2203) PNP -40V 0V -	ALTERNATE
		Q126	0TR320509AB	Transistor Assembly	KTC3205-Y(KTC2236A) KTC3205-Y(
		Q126	0TR232809AB	TR,Bipolar	KSC2328A-Y NPN 5V 30V 30V 2A 1	ALTERNATE
		Q126	0TR186209AB	TR,Bipolar	STD1862LY-AT NPN 5V 30V 30V 2A	ALTERNATE
		R102	0RS0101K619	Resistor,Metal Oxide Film	RSD02R1J1R00 1OHM 5% 2W 12.0X4	
		R103	0RS5602K619	Resistor,Metal Oxide Film	SML02R0J56K0 56KOHM 5% 2W 8.6X	
		R105	0RD0472F608	Resistor,Carbon Film	RD-96S1J47R0 47OHM 5% 1/6W 3.2	
		R121	0RD1001F608	Resistor,Carbon Film	RD-96S1J1K00 1KOHM 5% 1/6W 3.2	
		R122	0RD5600F608	Resistor,Carbon Film	RD-96S1J560R 560OHM 5% 1/6W 3.	
		R123	0RD4702F608	Resistor,Carbon Film	RD-96S1J47K0 47KOHM 5% 1/6W 3.	
		R124	0RD1800F608	Resistor,Carbon Film	RD-96S1J180R 180OHM 5% 1/6W 3.	
		R125	0RD2201F608	Resistor,Carbon Film	RD-96S1J2K20 2.2KOHM 5% 1/6W 3	
		R126	0RD1001F608	Resistor,Carbon Film	RD-96S1J1K00 1KOHM 5% 1/6W 3.2	
		R127	0RN1001F408	Resistor,Metal Film	RN-96S1F1K00 1KOHM 1% 1/6W 3.2	
		R128	0RN3001F408	Resistor,Metal Film	RN-96S1F3K00 3KOHM 1% 1/6W 3.2	
		R130	0RD1002F608	Resistor,Carbon Film	RD-96S1J10K0 10KOHM 5% 1/6W 3.	
		R140	0RD2200F608	Resistor,Carbon Film	RD-96S1J220R 220OHM 5% 1/6W 3.	
		R143	0RD2200F608	Resistor,Carbon Film	RD-96S1J220R 220OHM 5% 1/6W 3.	
		R144	0RD1001F608	Resistor,Carbon Film	RD-96S1J1K00 1KOHM 5% 1/6W 3.2	
		R145	0RD1001F608	Resistor,Carbon Film	RD-96S1J1K00 1KOHM 5% 1/6W 3.2	
		R151	0RD1003F608	Resistor,Carbon Film	RD-96S1J100K 100KOHM 5% 1/6W 3	
		R152	0RD2202F608	Resistor,Carbon Film	RD-96S1J22K0 22KOHM 5% 1/6W 3.	
		T101	6170RNGW05S	Transformer,Switching	6170RNGW05S EE2532S 4OHM 2.5mH	
		V101	656-004C	Varistor	SVC681D-10A 680V 10% 250pF 10M	
		ZD101	0DZ330009CA	Diode,Zener	MTZJT-7733B 33V 30.32TO31.88V	
		ZD101	0DZ332609AA	Diode,Zener	GDZJ33B 33V 30.32TO31.88V 65OH	ALTERNATE
		ZD102	0DZ100009AA	Diode,Zener	MTZJT-7710B 10V 9.41TO9.9V 300	
		ZD102	0DZ102609AB	Diode,Zener	GDZJ10B(26mm) 10V 9.41TO9.9V 3	ALTERNATE
		ZD151	0DZ130009AA	Diode,Zener	MTZJT-7713A 13V 12.11TO12.75V	
		ZD151	0DZ132609BB	Diode,Zener	UZ-13BSA 13V 12.18TO12.71V 130	ALTERNATE
		ZD152	0DZ560009CB	Diode,Zener	MTZJT-775.6C 5.6V 5.61TO5.91V	
*** Board Assembly(FRONT) ***						
		A43	AAX65660901	Board Assembly	DVD DV302H-NE BSWENNK Timer+Fr	T517C
		A43	AAX65660902	Board Assembly	DVD DV302H-NE BSWENNT Timer+Fr	T517CT
		452	1SZZR-0098A	Screw,Customized	1SZZR-0098A BH + 3MM 10MM MSWR	

S	AL	LOCA. NO.	PART NO.	DESCRIPTION	SPECIFICATION	REMARKS
		280	AGL37044005	Panel Assembly,Front	DVD DV302H-NE BSWENNK NAD play	T517C
		280	AGL37044006	Panel Assembly,Front	DVD DV302H-NE BSWENNT NAD play	T517CT
		A50	EBR50464802	PCB Assembly	08 DVD-P NAD TIMER IN _	
		C901	0CN1040K948	Capacitor,Ceramic,Axial	CH UP050 F104Z-A-B Z 100nF -20	
		C902	0CN1010K518	Capacitor,Ceramic,Axial	CH UP025 B101K-A-B Z 100pF 10%	
		C903	0CN1010K518	Capacitor,Ceramic,Axial	CH UP025 B101K-A-B Z 100pF 10%	
		C905	0CN1020K518	Capacitor,Ceramic,Axial	CH UP025 B102K-A-B Z 1nF 10% 5	
		C906	0CE2274C638	Capacitor,AL,Radial	ESS227M6R3T1A5E07G 220uF 20% 6	
		C907	0CN1020K518	Capacitor,Ceramic,Axial	CH UP025 B102K-A-B Z 1nF 10% 5	
		C908	0CE4764C638	Capacitor,AL,Radial	ESS476M6R3T1A5C07G 47uF 20% 6.	
		R901	0RD4701F608	Resistor,Carbon Film	RD-96S1J4K70 4.7KOHM 5% 1/6W 3	
		R904	0RD3300F608	Resistor,Carbon Film	RD-96S1J330R 330OHM 5% 1/6W 3.	
		R905	0RD5102F608	Resistor,Carbon Film	RD-96S1J51K0 51KOHM 5% 1/6W 3.	
		R908	0RD0391F608	Resistor,Carbon Film	CR1/8TA3R9J 3.9OHM 5% 1/8W 3.2	
		SW901	556-219B	Switch,Tact	THVV502GAA 1C1P 12VDC 0.05A HO	
		SW901	556-219D	Switch,Tact	TSTB-2(THVV502) 1C1P 12VDC 0.0	ALTERNATE
		SW901	6600R000036	Switch,Tact	EVQ22505R 1C1P 15VDC 0.02A VER	ALTERNATE
		SW901	EBF40098801	Switch,Tact	SKRGAED010 1C1P 12VDC 0.05A VE	ALTERNATE
		SW902	556-219B	Switch,Tact	THVV502GAA 1C1P 12VDC 0.05A HO	
		SW902	556-219D	Switch,Tact	TSTB-2(THVV502) 1C1P 12VDC 0.0	
		SW902	6600R000036	Switch,Tact	EVQ22505R 1C1P 15VDC 0.02A VER	
		SW902	EBF40098801	Switch,Tact	SKRGAED010 1C1P 12VDC 0.05A VE	
		SW903	556-219B	Switch,Tact	THVV502GAA 1C1P 12VDC 0.05A HO	
		SW903	556-219D	Switch,Tact	TSTB-2(THVV502) 1C1P 12VDC 0.0	
		SW903	6600R000036	Switch,Tact	EVQ22505R 1C1P 15VDC 0.02A VER	
		SW903	EBF40098801	Switch,Tact	SKRGAED010 1C1P 12VDC 0.05A VE	
		SW904	556-219B	Switch,Tact	THVV502GAA 1C1P 12VDC 0.05A HO	
		SW904	556-219D	Switch,Tact	TSTB-2(THVV502) 1C1P 12VDC 0.0	
		SW904	6600R000036	Switch,Tact	EVQ22505R 1C1P 15VDC 0.02A VER	
		SW904	EBF40098801	Switch,Tact	SKRGAED010 1C1P 12VDC 0.05A VE	
		SW905	556-219B	Switch,Tact	THVV502GAA 1C1P 12VDC 0.05A HO	
		SW905	556-219D	Switch,Tact	TSTB-2(THVV502) 1C1P 12VDC 0.0	
		SW905	6600R000036	Switch,Tact	EVQ22505R 1C1P 15VDC 0.02A VER	
		SW905	EBF40098801	Switch,Tact	SKRGAED010 1C1P 12VDC 0.05A VE	
		SW906	556-219B	Switch,Tact	THVV502GAA 1C1P 12VDC 0.05A HO	
		SW906	556-219D	Switch,Tact	TSTB-2(THVV502) 1C1P 12VDC 0.0	
		SW906	6600R000036	Switch,Tact	EVQ22505R 1C1P 15VDC 0.02A VER	
		SW906	EBF40098801	Switch,Tact	SKRGAED010 1C1P 12VDC 0.05A VE	
		SW907	556-219B	Switch,Tact	THVV502GAA 1C1P 12VDC 0.05A HO	
		SW907	556-219D	Switch,Tact	TSTB-2(THVV502) 1C1P 12VDC 0.0	
		SW907	6600R000036	Switch,Tact	EVQ22505R 1C1P 15VDC 0.02A VER	
		SW907	EBF40098801	Switch,Tact	SKRGAED010 1C1P 12VDC 0.05A VE	
		CABLE1	EAD42078701	Cable,FFC	AT10012180D02 180MM 1.00MM 12P	
		CN901	6630R-FB10L	Connector,FFC/FPC/PIC	00-6232-012-006-800 12P 1.00MM	
		CN902	561-712B	Connector,Wafer	GIL-S-02P-S2L2-EF 2P 2.00MM 1R	
		CN903	EAD34876602	Harness,Single	2P-150MM (DV3) GIL-S 9073-AN 1	
		DIG901	6301R2U017U	LED Assembly	TOF-2504AW-B4 LED CLOCK OASIS	
		DIG901	6301R2U017R	LED Assembly	TOF-2504AG-B4 LED CLOCK OASIS	ALTERNATE
		IC901	EAN48862801	IC,LED Driver	PT6962-TX 7 0.5 500MW SOP R/TP	
		RC901	EAV41920401	Receiver Module	AT138ARF1(346HF6N2-B)(ND5100)	
		RC901	6712R1238HA	Receiver Module	AT138ARF1(346HF6N2-B) 2.7TO6V	ALTERNATE
*** Option Code Assembly(MAIN) ***						
		A46	EBR42880784	Option Code Assembly	DV302H-NE.BSWENNT . .	
		C202	0CE2274C638	Capacitor,AL,Radial	ESS227M6R3T1A5E07G 220uF 20% 6	
		C205	0CE4764C638	Capacitor,AL,Radial	ESS476M6R3T1A5C07G 47uF 20% 6.	
		C206	0CE4764C638	Capacitor,AL,Radial	ESS476M6R3T1A5C07G 47uF 20% 6.	
		C217	0CE1074C638	Capacitor,AL,Radial	SRA5.0TP6.3VM100M 100uF 20% 6.	

S	AL	LOCA. NO.	PART NO.	DESCRIPTION	SPECIFICATION	REMARKS
		C220	0CE2274F638	Capacitor,AL,Radial	SRA5.0TP6.16VM220M 220uF 20% 16V	
		C240	0CE1074C638	Capacitor,AL,Radial	SRA5.0TP6.3VM100M 100uF 20% 6.	
		C242	0CE1064F638	Capacitor,AL,Radial	ESS106M016T1A5B07G 10uF 20% 16	
		C642	0CE3364F638	Capacitor,AL,Radial	ESS336M016T1A5E07G 33uF 20% 16	
		C666	0CE1074C638	Capacitor,AL,Radial	SRA5.0TP6.3VM100M 100uF 20% 6.	
		C6C6	0CE1064F638	Capacitor,AL,Radial	ESS106M016T1A5B07G 10uF 20% 16	
		C6C9	0CE2274C638	Capacitor,AL,Radial	ESS227M6R3T1A5E07G 220uF 20% 6	
		C6E0	0CE4764C638	Capacitor,AL,Radial	ESS476M6R3T1A5C07G 47uF 20% 6.	
		C6E1	0CE1064F638	Capacitor,AL,Radial	ESS106M016T1A5B07G 10uF 20% 16	
		C6E2	0CE4764C638	Capacitor,AL,Radial	ESS476M6R3T1A5C07G 47uF 20% 6.	
		C6E3	0CE2274C638	Capacitor,AL,Radial	ESS227M6R3T1A5E07G 220uF 20% 6	
		C6E4	0CE2274C638	Capacitor,AL,Radial	ESS227M6R3T1A5E07G 220uF 20% 6	
		C6E5	0CE1064F638	Capacitor,AL,Radial	ESS106M016T1A5B07G 10uF 20% 16	
		C6E6	0CE1074C638	Capacitor,AL,Radial	SRA5.0TP6.3VM100M 100uF 20% 6.	
		C6E7	0CE4764C638	Capacitor,AL,Radial	ESS476M6R3T1A5C07G 47uF 20% 6.	
		C6E8	0CE1064F638	Capacitor,AL,Radial	ESS106M016T1A5B07G 10uF 20% 16	
		C6E9	0CE1064F638	Capacitor,AL,Radial	ESS106M016T1A5B07G 10uF 20% 16	
		C6Y2	0CE1064F638	Capacitor,AL,Radial	ESS106M016T1A5B07G 10uF 20% 16	
		C703	0CE2264F638	Capacitor,AL,Radial	ESS226M016T1A5B07G 22uF 20% 16	
		C704	0CE4764C638	Capacitor,AL,Radial	ESS476M6R3T1A5C07G 47uF 20% 6.	
		C706	0CE1064F638	Capacitor,AL,Radial	ESS106M016T1A5B07G 10uF 20% 16	
		C728	0CE4764F638	Capacitor,AL,Radial	ESS476M016T1A5C07G 47uF 20% 16	
		C730	0CE2264F638	Capacitor,AL,Radial	ESS226M016T1A5B07G 22uF 20% 16	
		C731	0CE4764F638	Capacitor,AL,Radial	ESS476M016T1A5C07G 47uF 20% 16	
		C732	0CE2264F638	Capacitor,AL,Radial	ESS226M016T1A5B07G 22uF 20% 16	
		C734	0CE2264F638	Capacitor,AL,Radial	ESS226M016T1A5B07G 22uF 20% 16	
		C735	0CE2264F638	Capacitor,AL,Radial	ESS226M016T1A5B07G 22uF 20% 16	
		D201	0DR104009AB	Diode,Rectifier	RL104R 400V 1.1V 5UA 30A 1NSEC	
		L201	0LR0102J025	Inductor,Wire Wound,Radial	EL0405RA-100J-3 10UH 5% 0V 353	
		L202	0LR0102J025	Inductor,Wire Wound,Radial	EL0405RA-100J-3 10UH 5% 0V 353	
		Q208	0TR127109AA	TR,Bipolar	KTA1271Y PNP -5V -35V -30V -0.	
		C201	0CH1104K942	Capacitor,Ceramic,Chip	0603F104Z500CT 100nF -20TO+80%	
		C207	0CH1104K942	Capacitor,Ceramic,Chip	0603F104Z500CT 100nF -20TO+80%	
		C218	0CH1104K942	Capacitor,Ceramic,Chip	0603F104Z500CT 100nF -20TO+80%	
		C219	0CH1104K942	Capacitor,Ceramic,Chip	0603F104Z500CT 100nF -20TO+80%	
		C221	0CH1104K942	Capacitor,Ceramic,Chip	0603F104Z500CT 100nF -20TO+80%	
		C222	0CH1104K942	Capacitor,Ceramic,Chip	0603F104Z500CT 100nF -20TO+80%	
		C230	0CH1222K562	Capacitor,Ceramic,Chip	0603B222K500CT 2.2nF 10% 50V X	
		C231	0CH1222K562	Capacitor,Ceramic,Chip	0603B222K500CT 2.2nF 10% 50V X	
		C235	0CH1104K942	Capacitor,Ceramic,Chip	0603F104Z500CT 100nF -20TO+80%	
		C236	0CH1104K942	Capacitor,Ceramic,Chip	0603F104Z500CT 100nF -20TO+80%	
		C241	0CH1104K942	Capacitor,Ceramic,Chip	0603F104Z500CT 100nF -20TO+80%	
		C602	0CH1104K942	Capacitor,Ceramic,Chip	0603F104Z500CT 100nF -20TO+80%	
		C603	0CH1682K512	Capacitor,Ceramic,Chip	0603B682K500CT 6.8nF 10% 50V Y	
		C604	0CH1473K942	Capacitor,Ceramic,Chip	C1608Y5V1H473ZT 47nF -20TO+80%	
		C605	0CH1104K942	Capacitor,Ceramic,Chip	0603F104Z500CT 100nF -20TO+80%	
		C606	0CH1104K942	Capacitor,Ceramic,Chip	0603F104Z500CT 100nF -20TO+80%	
		C607	0CH1152K562	Capacitor,Ceramic,Chip	0603B152K500CT 1.5nF 10% 50V X	
		C608	0CH1104K942	Capacitor,Ceramic,Chip	0603F104Z500CT 100nF -20TO+80%	
		C609	0CH1562K562	Capacitor,Ceramic,Chip	0603B562K500CT 5.6nF 10% 50V X	
		C611	0CH1104K942	Capacitor,Ceramic,Chip	0603F104Z500CT 100nF -20TO+80%	
		C613	0CH1104K942	Capacitor,Ceramic,Chip	0603F104Z500CT 100nF -20TO+80%	
		C614	0CH1104K942	Capacitor,Ceramic,Chip	0603F104Z500CT 100nF -20TO+80%	
		C615	0CH1104K942	Capacitor,Ceramic,Chip	0603F104Z500CT 100nF -20TO+80%	
		C619	0CH1104K942	Capacitor,Ceramic,Chip	0603F104Z500CT 100nF -20TO+80%	
		C620	0CH1104K942	Capacitor,Ceramic,Chip	0603F104Z500CT 100nF -20TO+80%	
		C621	0CH1104K942	Capacitor,Ceramic,Chip	0603F104Z500CT 100nF -20TO+80%	

S	AL	LOCA. NO.	PART NO.	DESCRIPTION	SPECIFICATION	REMARKS
		C622	0CH1104K942	Capacitor,Ceramic,Chip	0603F104Z500CT 100nF -20TO+80%	
		C623	0CK105CD94A	Capacitor,Ceramic,Chip	0603F105Z100CT 1uF -20TO+80% 1	
		C624	0CK105CD94A	Capacitor,Ceramic,Chip	0603F105Z100CT 1uF -20TO+80% 1	
		C625	0CK105CD94A	Capacitor,Ceramic,Chip	0603F105Z100CT 1uF -20TO+80% 1	
		C626	0CK105CD94A	Capacitor,Ceramic,Chip	0603F105Z100CT 1uF -20TO+80% 1	
		C627	0CK105CD94A	Capacitor,Ceramic,Chip	0603F105Z100CT 1uF -20TO+80% 1	
		C628	0CH1104K942	Capacitor,Ceramic,Chip	0603F104Z500CT 100nF -20TO+80%	
		C629	0CH1104K942	Capacitor,Ceramic,Chip	0603F104Z500CT 100nF -20TO+80%	
		C630	0CH4271K412	Capacitor,Ceramic,Chip	C1608C0G1H271JT 270pF 5% 50V C	
		C631	0CH4221K412	Capacitor,Ceramic,Chip	0603N221J500LT 220pF 5% 50V C0	
		C632	0CH1104K942	Capacitor,Ceramic,Chip	0603F104Z500CT 100nF -20TO+80%	
		C633	0CH1223K562	Capacitor,Ceramic,Chip	0603B223K500CT 22nF 10% 50V X7	
		C634	0CH1104K942	Capacitor,Ceramic,Chip	0603F104Z500CT 100nF -20TO+80%	
		C635	0CH1104K942	Capacitor,Ceramic,Chip	0603F104Z500CT 100nF -20TO+80%	
		C636	0CH4150K412	Capacitor,Ceramic,Chip	0603N150J500LT 15pF 5% 50V C0G	
		C637	0CH4180K412	Capacitor,Ceramic,Chip	0603N180J500LT 18pF 5% 50V C0G	
		C638	0CH1104K942	Capacitor,Ceramic,Chip	0603F104Z500CT 100nF -20TO+80%	
		C639	0CH1104K942	Capacitor,Ceramic,Chip	0603F104Z500CT 100nF -20TO+80%	
		C640	0CH1104K942	Capacitor,Ceramic,Chip	0603F104Z500CT 100nF -20TO+80%	
		C644	0CH1104K942	Capacitor,Ceramic,Chip	0603F104Z500CT 100nF -20TO+80%	
		C645	0CH1104K942	Capacitor,Ceramic,Chip	0603F104Z500CT 100nF -20TO+80%	
		C646	0CH1104K942	Capacitor,Ceramic,Chip	0603F104Z500CT 100nF -20TO+80%	
		C649	0CH1104K942	Capacitor,Ceramic,Chip	0603F104Z500CT 100nF -20TO+80%	
		C650	0CH1104K942	Capacitor,Ceramic,Chip	0603F104Z500CT 100nF -20TO+80%	
		C651	0CH1102K562	Capacitor,Ceramic,Chip	0603B102K500CT 1nF 10% 50V X7R	
		C653	0CH1104K942	Capacitor,Ceramic,Chip	0603F104Z500CT 100nF -20TO+80%	
		C655	0CH1473K942	Capacitor,Ceramic,Chip	C1608Y5V1H473ZT 47nF -20TO+80%	
		C656	0CH1104K942	Capacitor,Ceramic,Chip	0603F104Z500CT 100nF -20TO+80%	
		C657	0CH1104K942	Capacitor,Ceramic,Chip	0603F104Z500CT 100nF -20TO+80%	
		C658	0CH1104K942	Capacitor,Ceramic,Chip	0603F104Z500CT 100nF -20TO+80%	
		C659	0CH1104K942	Capacitor,Ceramic,Chip	0603F104Z500CT 100nF -20TO+80%	
		C660	0CH1104K942	Capacitor,Ceramic,Chip	0603F104Z500CT 100nF -20TO+80%	
		C661	0CH1104K942	Capacitor,Ceramic,Chip	0603F104Z500CT 100nF -20TO+80%	
		C662	0CH1102K562	Capacitor,Ceramic,Chip	0603B102K500CT 1nF 10% 50V X7R	
		C663	0CH4200K412	Capacitor,Ceramic,Chip	C1608C0G1H021JT 20pF 5% 50V C0	
		C664	0CH1104K942	Capacitor,Ceramic,Chip	0603F104Z500CT 100nF -20TO+80%	
		C665	0CH1333K562	Capacitor,Ceramic,Chip	0603B333K500CT 33nF 10% 50V X7	
		C667	0CH1104K942	Capacitor,Ceramic,Chip	0603F104Z500CT 100nF -20TO+80%	
		C668	0CH1104K942	Capacitor,Ceramic,Chip	0603F104Z500CT 100nF -20TO+80%	
		C669	0CH1104K942	Capacitor,Ceramic,Chip	0603F104Z500CT 100nF -20TO+80%	
		C670	0CH1104K942	Capacitor,Ceramic,Chip	0603F104Z500CT 100nF -20TO+80%	
		C671	0CH1104K942	Capacitor,Ceramic,Chip	0603F104Z500CT 100nF -20TO+80%	
		C672	0CH1104K942	Capacitor,Ceramic,Chip	0603F104Z500CT 100nF -20TO+80%	
		C673	0CH1104K942	Capacitor,Ceramic,Chip	0603F104Z500CT 100nF -20TO+80%	
		C674	0CH1104K942	Capacitor,Ceramic,Chip	0603F104Z500CT 100nF -20TO+80%	
		C675	0CH1103K562	Capacitor,Ceramic,Chip	0603B103K500CT 10nF 10% 50V X7	
		C676	0CH1222K562	Capacitor,Ceramic,Chip	0603B222K500CT 2.2nF 10% 50V X	
		C677	0CH1104K942	Capacitor,Ceramic,Chip	0603F104Z500CT 100nF -20TO+80%	
		C678	0CH1104K942	Capacitor,Ceramic,Chip	0603F104Z500CT 100nF -20TO+80%	
		C679	0CH1104K942	Capacitor,Ceramic,Chip	0603F104Z500CT 100nF -20TO+80%	
		C681	0CH1104K942	Capacitor,Ceramic,Chip	0603F104Z500CT 100nF -20TO+80%	
		C683	0CH1104K942	Capacitor,Ceramic,Chip	0603F104Z500CT 100nF -20TO+80%	
		C684	0CH1104K942	Capacitor,Ceramic,Chip	0603F104Z500CT 100nF -20TO+80%	
		C685	0CH1104K942	Capacitor,Ceramic,Chip	0603F104Z500CT 100nF -20TO+80%	
		C686	0CH1104K942	Capacitor,Ceramic,Chip	0603F104Z500CT 100nF -20TO+80%	
		C687	0CH1104K942	Capacitor,Ceramic,Chip	0603F104Z500CT 100nF -20TO+80%	
		C689	0CH1104K942	Capacitor,Ceramic,Chip	0603F104Z500CT 100nF -20TO+80%	

S	AL	LOCA. NO.	PART NO.	DESCRIPTION	SPECIFICATION	REMARKS
		C690	0CH1104K942	Capacitor,Ceramic,Chip	0603F104Z500CT 100nF -20TO+80%	
		C692	0CH1104K942	Capacitor,Ceramic,Chip	0603F104Z500CT 100nF -20TO+80%	
		C694	0CH4221K412	Capacitor,Ceramic,Chip	0603N221J500LT 220pF 5% 50V C0	
		C695	0CH4560K412	Capacitor,Ceramic,Chip	0603N560J500LT 56pF 5% 50V C0G	
		C696	0CH4221K412	Capacitor,Ceramic,Chip	0603N221J500LT 220pF 5% 50V C0	
		C6A5	0CH4100K412	Capacitor,Ceramic,Chip	0603N100J500LT 10pF 5% 50V C0G	
		C6A6	0CH4100K412	Capacitor,Ceramic,Chip	0603N100J500LT 10pF 5% 50V C0G	
		C6B1	0CK475CD64A	Capacitor,Ceramic,Chip	C1608Y5V1A475MT 4.7uF 20% 10V	
		C6B7	0CH1104K942	Capacitor,Ceramic,Chip	0603F104Z500CT 100nF -20TO+80%	
		C6Y1	0CH1473K942	Capacitor,Ceramic,Chip	C1608Y5V1H473ZT 47nF -20TO+80%	
		C701	0CH1104K942	Capacitor,Ceramic,Chip	0603F104Z500CT 100nF -20TO+80%	
		C707	0CH1105F942	Capacitor,Ceramic,Chip	0603F105Z160CT 1uF -20TO+80% 1	
		C708	0CH1105F942	Capacitor,Ceramic,Chip	0603F105Z160CT 1uF -20TO+80% 1	
		C709	0CH1105F942	Capacitor,Ceramic,Chip	0603F105Z160CT 1uF -20TO+80% 1	
		C710	0CH1105F942	Capacitor,Ceramic,Chip	0603F105Z160CT 1uF -20TO+80% 1	
		C711	0CH1105F942	Capacitor,Ceramic,Chip	0603F105Z160CT 1uF -20TO+80% 1	
		C714	0CH1104K942	Capacitor,Ceramic,Chip	0603F104Z500CT 100nF -20TO+80%	
		C715	0CH4101K412	Capacitor,Ceramic,Chip	0603N101J500LT 100pF 5% 50V C0	
		C716	0CH4270K412	Capacitor,Ceramic,Chip	0603N270J500LT 27pF 5% 50V C0G	
		C718	0CH1104K942	Capacitor,Ceramic,Chip	0603F104Z500CT 100nF -20TO+80%	
		C719	0CH4101K412	Capacitor,Ceramic,Chip	0603N101J500LT 100pF 5% 50V C0	
		C722	0CH4681K412	Capacitor,Ceramic,Chip	0603N681J500LT 680pF 5% 50V C0	
		C723	0CH4101K412	Capacitor,Ceramic,Chip	0603N101J500LT 100pF 5% 50V C0	
		C724	0CH4681K412	Capacitor,Ceramic,Chip	0603N681J500LT 680pF 5% 50V C0	
		C726	0CH1104K942	Capacitor,Ceramic,Chip	0603F104Z500CT 100nF -20TO+80%	
		C733	0CH4101K412	Capacitor,Ceramic,Chip	0603N101J500LT 100pF 5% 50V C0	
		C736	0CH4681K412	Capacitor,Ceramic,Chip	0603N681J500LT 680pF 5% 50V C0	
		C737	0CH4681K412	Capacitor,Ceramic,Chip	0603N681J500LT 680pF 5% 50V C0	
		CN201	6630XE00123	Connector,FFC/FPC/PIC	04-6232-023-010-000 23P 1.00MM	
		CN202	6630XE00109	Connector,FFC/FPC/PIC	04-6232-009-010-000 9P 1.00MM	
		CN705	6630XE00112	Connector,FFC/FPC/PIC	JE500-B1.0-T12 12P 1.00MM FFC	
		D6Y1	0DSRM00118A	Diode,Switching	DAP202K 1.2V 80V 300MA 4A 4NSE	
		IC201	EAN33860001	IC,Motor Driver	AM5890 5ch dvd-p 4.3to13.2v 9v	
		IC601	EAN36805202	IC,Digital Signal Processors	MT1389S/DE 0.3V 3.6mA 27MHz NO	
		IC603	01MMREO001C	IC,SDRAM	EM638165TS - 6G 64MBIT 1MX16BI	
		IC606	EAN37730101	IC,EEPROM	S-24CS08AFJ-V-1GE 8KBIT 1K X 8	
		IC6Y1	01STL00104A	IC,CMOS	74LV86PW 1.0TO3.6V 20mA EXCLUS	
		IC701	01LNR00048A	IC,Display Driver	MM1692XVBE 7V 2.4V 1W TSOP R/T	
		IC703	EAN52653401	IC,OP Amplifier	SA5532ADR 5V TO 15V 0.5mV 0.1%	
		L204	6200HJC102A	Filter,Bead	HB-1M2012-102JT 1000OHM 2X1.25	
		L205	6200HJC102A	Filter,Bead	HB-1M2012-102JT 1000OHM 2X1.25	
		L206	6200HJC102A	Filter,Bead	HB-1M2012-102JT 1000OHM 2X1.25	
		L207	6200HJC102A	Filter,Bead	HB-1M2012-102JT 1000OHM 2X1.25	
		L601	6200HJC102A	Filter,Bead	HB-1M2012-102JT 1000OHM 2X1.25	
		L602	6200HJC102A	Filter,Bead	HB-1M2012-102JT 1000OHM 2X1.25	
		L603	6200HJC102A	Filter,Bead	HB-1M2012-102JT 1000OHM 2X1.25	
		L604	6200HJC102A	Filter,Bead	HB-1M2012-102JT 1000OHM 2X1.25	
		L605	6200HJC102A	Filter,Bead	HB-1M2012-102JT 1000OHM 2X1.25	
		L606	6200HJC102A	Filter,Bead	HB-1M2012-102JT 1000OHM 2X1.25	
		L608	6200HJC102A	Filter,Bead	HB-1M2012-102JT 1000OHM 2X1.25	
		L612	6200HJC102A	Filter,Bead	HB-1M2012-102JT 1000OHM 2X1.25	
		L613	6200HJC102A	Filter,Bead	HB-1M2012-102JT 1000OHM 2X1.25	
		L614	6200HJC102A	Filter,Bead	HB-1M2012-102JT 1000OHM 2X1.25	
		L615	6200HJC102A	Filter,Bead	HB-1M2012-102JT 1000OHM 2X1.25	
		L620	0LC11608D01	Filter,Bead	HB-1M1608-121JT 120OHM 1.6X0.8	
		L625	6200HJC102A	Filter,Bead	HB-1M2012-102JT 1000OHM 2X1.25	
		L626	6200HJC102A	Filter,Bead	HB-1M2012-102JT 1000OHM 2X1.25	

S	AL	LOCA. NO.	PART NO.	DESCRIPTION	SPECIFICATION	REMARKS
		L627	6200HJC102A	Filter,Bead	HB-1M2012-102JT 1000OHM 2X1.25	
		L701	6200HJC102A	Filter,Bead	HB-1M2012-102JT 1000OHM 2X1.25	
		L702	6200HJC102A	Filter,Bead	HB-1M2012-102JT 1000OHM 2X1.25	
		L703	0LCCE00004E	Inductor,Multilayer,Chip	FI-C2012-103KJT 10UH 10% - 25M	
		L704	0LCCE00004E	Inductor,Multilayer,Chip	FI-C2012-103KJT 10UH 10% - 25M	
		Q201	0TR103709BB	TR,Bipolar	2SA1037AK-Q PNP -6V -60V -50V	
		Q201	0TR150409AC	TR,Bipolar	KTA1504S-GR PNP -5V -50V -50V	
		Q201	0TRON80008A	TR,Bipolar	MSA1162YT1G PNP -7V -60V -50V	
		Q201	0TRAU80008A	TR,Bipolar	2SA1980SY PNP -5V -50V -50V -0	
		Q202	0TR103709BB	TR,Bipolar	2SA1037AK-Q PNP -6V -60V -50V	
		Q202	0TR150409AC	TR,Bipolar	KTA1504S-GR PNP -5V -50V -50V	
		Q202	0TRON80008A	TR,Bipolar	MSA1162YT1G PNP -7V -60V -50V	
		Q202	0TRAU80008A	TR,Bipolar	2SA1980SY PNP -5V -50V -50V -0	
		Q205	0TR387509AC	TR,Bipolar	KTC3875S-GR(ALG) NPN 5V 60V 50	
		Q205	0TRON80009A	TR,Bipolar	BC846ALT1 NPN 6V 80V 65V 100MA	ALTERNATE
		Q205	0TRAU80017A	TR,Bipolar	2SC5343SG NPN 5V 60V 50V 150MA	ALTERNATE
		Q206	0TRRH80042A	FET	2SK3018-T106 N-CHANNEL MOSFET	
		Q207	0TRRH80042A	FET	2SK3018-T106 N-CHANNEL MOSFET	
		Q601	0TRRH80042A	FET	2SK3018-T106 N-CHANNEL MOSFET	
		Q6Y1	0TR387509AC	TR,Bipolar	KTC3875S-GR(ALG) NPN 5V 60V 50	
		Q702	0TR387509AC	TR,Bipolar	KTC3875S-GR(ALG) NPN 5V 60V 50	
		Q702	0TRON80009A	TR,Bipolar	BC846ALT1 NPN 6V 80V 65V 100MA	
		Q702	0TRAU80017A	TR,Bipolar	2SC5343SG NPN 5V 60V 50V 150MA	
		Q703	0TR103709BB	TR,Bipolar	2SA1037AK-Q PNP -6V -60V -50V	
		Q703	0TR150409AC	TR,Bipolar	KTA1504S-GR PNP -5V -50V -50V	
		Q703	0TRON80008A	TR,Bipolar	MSA1162YT1G PNP -7V -60V -50V	
		Q703	0TRAU80008A	TR,Bipolar	2SA1980SY PNP -5V -50V -50V -0	
		Q705	0TR387509AC	TR,Bipolar	KTC3875S-GR(ALG) NPN 5V 60V 50	
		Q705	0TRON80009A	TR,Bipolar	BC846ALT1 NPN 6V 80V 65V 100MA	
		Q705	0TRAU80017A	TR,Bipolar	2SC5343SG NPN 5V 60V 50V 150MA	
		Q706	0TR387509AC	TR,Bipolar	KTC3875S-GR(ALG) NPN 5V 60V 50	
		Q706	0TRON80009A	TR,Bipolar	BC846ALT1 NPN 6V 80V 65V 100MA	
		Q706	0TRAU80017A	TR,Bipolar	2SC5343SG NPN 5V 60V 50V 150MA	
		Q707	0TR387509AC	TR,Bipolar	KTC3875S-GR(ALG) NPN 5V 60V 50	
		Q707	0TRON80009A	TR,Bipolar	BC846ALT1 NPN 6V 80V 65V 100MA	
		Q707	0TRAU80017A	TR,Bipolar	2SC5343SG NPN 5V 60V 50V 150MA	
		Q708	0TR387509AC	TR,Bipolar	KTC3875S-GR(ALG) NPN 5V 60V 50	
		Q708	0TRON80009A	TR,Bipolar	BC846ALT1 NPN 6V 80V 65V 100MA	
		Q708	0TRAU80017A	TR,Bipolar	2SC5343SG NPN 5V 60V 50V 150MA	
		Q709	0TR387509AC	TR,Bipolar	KTC3875S-GR(ALG) NPN 5V 60V 50	
		Q709	0TRON80009A	TR,Bipolar	BC846ALT1 NPN 6V 80V 65V 100MA	
		Q709	0TRAU80017A	TR,Bipolar	2SC5343SG NPN 5V 60V 50V 150MA	
		Q711	0TR103709BB	TR,Bipolar	2SA1037AK-Q PNP -6V -60V -50V	
		Q711	0TR150409AC	TR,Bipolar	KTA1504S-GR PNP -5V -50V -50V	
		Q711	0TRON80008A	TR,Bipolar	MSA1162YT1G PNP -7V -60V -50V	
		Q711	0TRAU80008A	TR,Bipolar	2SA1980SY PNP -5V -50V -50V -0	
		R201	0RH0471C622	Resistor,Chip	MCR03EZPJ4R7 4.7OHM 5% 1/10W 1	
		R202	0RH0471C622	Resistor,Chip	MCR03EZPJ4R7 4.7OHM 5% 1/10W 1	
		R203	0RH5100C422	Resistor,Chip	MCR03EZPF511 510OHM 1% 1/10W 1	
		R204	0RH1001C422	Resistor,Chip	MCR03EZPF102 1KOHM 1% 1/10W 16	
		R205	0RH1002C622	Resistor,Chip	MCR03EZPJ103 10KOHM 5% 1/10W 1	
		R206	0RH1003C622	Resistor,Chip	MCR03EZPJ104 100KOHM 5% 1/10W	
		R208	0RH1002C622	Resistor,Chip	MCR03EZPJ103 10KOHM 5% 1/10W 1	
		R209	0RH1003C622	Resistor,Chip	MCR03EZPJ104 100KOHM 5% 1/10W	
		R210	0RH0101D622	Resistor,Chip	MCR10EZJ1R0 1OHM 5% 1/8W 2012	
		R211	0RJ7503C677	Resistor,Chip	MCR03EZPJ754 750KOHM 5% 1/10W	
		R212	0RH3903C622	Resistor,Chip	MCR03EZPJ394 390KOHM 5% 1/10W	

S	AL	LOCA. NO.	PART NO.	DESCRIPTION	SPECIFICATION	REMARKS
		R213	0RH3903C622	Resistor,Chip	MCR03EZPJ394 390KOHM 5% 1/10W	
		R214	0RJ7503C677	Resistor,Chip	MCR03EZPJ754 750KOHM 5% 1/10W	
		R220	EBC40167001	Wire Pad	WIRE PAD WIRE PAD 1 ALMIT	
		R221	0RH1002C622	Resistor,Chip	MCR03EZPJ103 10KOHM 5% 1/10W 1	
		R222	0RH1002C622	Resistor,Chip	MCR03EZPJ103 10KOHM 5% 1/10W 1	
		R223	0RH1002C622	Resistor,Chip	MCR03EZPJ103 10KOHM 5% 1/10W 1	
		R243	0RH2201C622	Resistor,Chip	MCR03EZPJ222 2.2KOHM 5% 1/10W	
		R245	0RH2701C622	Resistor,Chip	MCR03EZPJ272 2.7KOHM 5% 1/10W	
		R269	0RH3301C622	Resistor,Chip	MCR03EZPJ332 3.3KOHM 5% 1/10W	
		R601	0RH5101C622	Resistor,Chip	MCR03EZPJ512 5.1KOHM 5% 1/10W	
		R602	0RH2701C422	Resistor,Chip	MCR03EZPF272 2.7KOHM 1% 1/10W	
		R603	0RH2702C622	Resistor,Chip	MCR03EZPJ273 27KOHM 5% 1/10W 1	
		R605	0RH2201C622	Resistor,Chip	MCR03EZPJ222 2.2KOHM 5% 1/10W	
		R607	0RJ7503C677	Resistor,Chip	MCR03EZPJ754 750KOHM 5% 1/10W	
		R608	0RH1003C622	Resistor,Chip	MCR03EZPJ104 100KOHM 5% 1/10W	
		R610	0RH1002C622	Resistor,Chip	MCR03EZPJ103 10KOHM 5% 1/10W 1	
		R612	0RH5600C622	Resistor,Chip	MCR03EZPJ561 560OHM 5% 1/10W 1	
		R613	0RH2202C622	Resistor,Chip	MCR03EZPJ223 22KOHM 5% 1/10W 1	
		R614	0RH4701C622	Resistor,Chip	MCR03EZPJ472 4.7KOHM 5% 1/10W	
		R620	0RH0332C622	Resistor,Chip	MCR03EZPJ330 33OHM 5% 1/10W 16	
		R621	0RH0332C622	Resistor,Chip	MCR03EZPJ330 33OHM 5% 1/10W 16	
		R622	0RH0332C622	Resistor,Chip	MCR03EZPJ330 33OHM 5% 1/10W 16	
		R624	0RH0332C622	Resistor,Chip	MCR03EZPJ330 33OHM 5% 1/10W 16	
		R625	0RH0332C622	Resistor,Chip	MCR03EZPJ330 33OHM 5% 1/10W 16	
		R627	0RH1502C622	Resistor,Chip	MCR03EZPJ153 15KOHM 5% 1/10W 1	
		R628	0RH5602C622	Resistor,Chip	MCR03EZPJ563 56KOHM 5% 1/10W 1	
		R629	EBC40167001	Wire Pad	WIRE PAD WIRE PAD 1 ALMIT	
		R630	EBC40167001	Wire Pad	WIRE PAD WIRE PAD 1 ALMIT	
		R631	0RH4701C622	Resistor,Chip	MCR03EZPJ472 4.7KOHM 5% 1/10W	
		R632	0RH4701C622	Resistor,Chip	MCR03EZPJ472 4.7KOHM 5% 1/10W	
		R633	EBC40167001	Wire Pad	WIRE PAD WIRE PAD 1 ALMIT	
		R638	0RH0681C622	Resistor,Chip	MCR03EZPJ6R8 6.8OHM 5% 1/10W 1	
		R641	0RH0332C622	Resistor,Chip	MCR03EZPJ330 33OHM 5% 1/10W 16	
		R646	0RH0332C622	Resistor,Chip	MCR03EZPJ330 33OHM 5% 1/10W 16	
		R651	0RH2200C622	Resistor,Chip	MCR03EZPJ221 220OHM 5% 1/10W 1	
		R652	0RH0562C622	Resistor,Chip	MCR03EZPJ560 56OHM 5% 1/10W 16	
		R653	0RH2200C622	Resistor,Chip	MCR03EZPJ221 220OHM 5% 1/10W 1	
		R654	0RH3300C622	Resistor,Chip	MCR03EZPJ331 330OHM 5% 1/10W 1	
		R655	0RH0332C622	Resistor,Chip	MCR03EZPJ330 33OHM 5% 1/10W 16	
		R656	0RH0332C622	Resistor,Chip	MCR03EZPJ330 33OHM 5% 1/10W 16	
		R666	0RH1003C622	Resistor,Chip	MCR03EZPJ104 100KOHM 5% 1/10W	
		R667	EBC40167001	Wire Pad	WIRE PAD WIRE PAD 1 ALMIT	
		R669	0RH0332C622	Resistor,Chip	MCR03EZPJ330 33OHM 5% 1/10W 16	
		R670	EBC40167001	Wire Pad	WIRE PAD WIRE PAD 1 ALMIT	
		R696	0RH2201C622	Resistor,Chip	MCR03EZPJ222 2.2KOHM 5% 1/10W	
		R697	0RH2201C622	Resistor,Chip	MCR03EZPJ222 2.2KOHM 5% 1/10W	
		R698	0RH2201C622	Resistor,Chip	MCR03EZPJ222 2.2KOHM 5% 1/10W	
		R6Y1	0RH2201C622	Resistor,Chip	MCR03EZPJ222 2.2KOHM 5% 1/10W	
		R6Y2	0RH1501C622	Resistor,Chip	MCR03EZPJ152 1.5KOHM 5% 1/10W	
		R6Y3	0RH1002C622	Resistor,Chip	MCR03EZPJ103 10KOHM 5% 1/10W 1	
		R6Y4	0RH1001C622	Resistor,Chip	MCR03EZPJ102 1KOHM 5% 1/10W 16	
		R6Y5	0RH1002C622	Resistor,Chip	MCR03EZPJ103 10KOHM 5% 1/10W 1	
		R6Y6	0RH3301C622	Resistor,Chip	MCR03EZPJ332 3.3KOHM 5% 1/10W	
		R6Y7	0RH1502C622	Resistor,Chip	MCR03EZPJ153 15KOHM 5% 1/10W 1	
		R701	0RH1000C622	Resistor,Chip	MCR03EZPJ101 100OHM 5% 1/10W 1	
		R702	0RH1000C622	Resistor,Chip	MCR03EZPJ101 100OHM 5% 1/10W 1	
		R703	0RH1100C622	Resistor,Chip	MCR03EZPJ111 110OHM 5% 1/10W 1	

S	AL	LOCA. NO.	PART NO.	DESCRIPTION	SPECIFICATION	REMARKS
		R704	0RH0752C422	Resistor,Chip	MCR03EZPF750 75OHM 1% 1/10W 16	
		R705	0RH0752C422	Resistor,Chip	MCR03EZPF750 75OHM 1% 1/10W 16	
		R706	0RH0752C422	Resistor,Chip	MCR03EZPF750 75OHM 1% 1/10W 16	
		R707	0RH0752C422	Resistor,Chip	MCR03EZPF750 75OHM 1% 1/10W 16	
		R708	0RH0752C422	Resistor,Chip	MCR03EZPF750 75OHM 1% 1/10W 16	
		R709	0RH0752C622	Resistor,Chip	MCR03EZPJ750 75OHM 5% 1/10W 16	
		R715	0RH0752C422	Resistor,Chip	MCR03EZPF750 75OHM 1% 1/10W 16	
		R716	0RH1003C622	Resistor,Chip	MCR03EZPJ104 100KOHM 5% 1/10W	
		R718	0RH1003C622	Resistor,Chip	MCR03EZPJ104 100KOHM 5% 1/10W	
		R720	0RH0752C422	Resistor,Chip	MCR03EZPF750 75OHM 1% 1/10W 16	
		R721	0RH0752C422	Resistor,Chip	MCR03EZPF750 75OHM 1% 1/10W 16	
		R722	0RH0752C422	Resistor,Chip	MCR03EZPF750 75OHM 1% 1/10W 16	
		R727	0RH0752C422	Resistor,Chip	MCR03EZPF750 75OHM 1% 1/10W 16	
		R728	0RH0752C422	Resistor,Chip	MCR03EZPF750 75OHM 1% 1/10W 16	
		R729	0RH0752C422	Resistor,Chip	MCR03EZPF750 75OHM 1% 1/10W 16	
		R730	0RH0752C422	Resistor,Chip	MCR03EZPF750 75OHM 1% 1/10W 16	
		R743	0RH2202C622	Resistor,Chip	MCR03EZPJ223 22KOHM 5% 1/10W 1	
		R744	0RH5101C622	Resistor,Chip	MCR03EZPJ512 5.1KOHM 5% 1/10W	
		R746	0RH1001C622	Resistor,Chip	MCR03EZPJ102 1KOHM 5% 1/10W 16	
		R747	0RH0102C622	Resistor,Chip	MCR03EZPJ100 10OHM 5% 1/10W 16	
		R748	0RH5601C622	Resistor,Chip	MCR03EZPJ562 5.6KOHM 5% 1/10W	
		R749	0RH5101C622	Resistor,Chip	MCR03EZPJ512 5.1KOHM 5% 1/10W	
		R750	0RH1001C622	Resistor,Chip	MCR03EZPJ102 1KOHM 5% 1/10W 16	
		R751	0RH7501C622	Resistor,Chip	MCR03EZPJ752 7.5KOHM 5% 1/10W	
		R752	0RH4701C622	Resistor,Chip	MCR03EZPJ472 4.7KOHM 5% 1/10W	
		R753	0RH1001C622	Resistor,Chip	MCR03EZPJ102 1KOHM 5% 1/10W 16	
		R762	0RH7501C622	Resistor,Chip	MCR03EZPJ752 7.5KOHM 5% 1/10W	
		R763	0RH2202C622	Resistor,Chip	MCR03EZPJ223 22KOHM 5% 1/10W 1	
		R764	0RH3300C622	Resistor,Chip	MCR03EZPJ331 330OHM 5% 1/10W 1	
		R765	0RH3300C622	Resistor,Chip	MCR03EZPJ331 330OHM 5% 1/10W 1	
		R766	0RH1001C622	Resistor,Chip	MCR03EZPJ102 1KOHM 5% 1/10W 16	
		R769	0RH0752C422	Resistor,Chip	MCR03EZPF750 75OHM 1% 1/10W 16	
		R770	0RH0752C422	Resistor,Chip	MCR03EZPF750 75OHM 1% 1/10W 16	
		R771	0RH0222C622	Resistor,Chip	MCR03EZPJ220 22OHM 5% 1/10W 16	
		R774	0RH1801C622	Resistor,Chip	MCR03EZPJ182 1.8KOHM 5% 1/10W	
		R775	0RH1801C622	Resistor,Chip	MCR03EZPJ182 1.8KOHM 5% 1/10W	
		R776	0RH1001C622	Resistor,Chip	MCR03EZPJ102 1KOHM 5% 1/10W 16	
		R786	EBC40167001	Wire Pad	WIRE PAD WIRE PAD 1 ALMIT	
		R787	EBC40167001	Wire Pad	WIRE PAD WIRE PAD 1 ALMIT	
		R788	0RH0752C422	Resistor,Chip	MCR03EZPF750 75OHM 1% 1/10W 16	
		R789	0RH0752C422	Resistor,Chip	MCR03EZPF750 75OHM 1% 1/10W 16	
		R790	0RH0752C422	Resistor,Chip	MCR03EZPF750 75OHM 1% 1/10W 16	
		R791	0RH0752C422	Resistor,Chip	MCR03EZPF750 75OHM 1% 1/10W 16	
		R792	0RH0752C422	Resistor,Chip	MCR03EZPF750 75OHM 1% 1/10W 16	
		R793	0RH2200C622	Resistor,Chip	MCR03EZPJ221 220OHM 5% 1/10W 1	
		R794	0RH2200C622	Resistor,Chip	MCR03EZPJ221 220OHM 5% 1/10W 1	
		R795	0RH3301C622	Resistor,Chip	MCR03EZPJ332 3.3KOHM 5% 1/10W	
		R796	0RH1001C622	Resistor,Chip	MCR03EZPJ102 1KOHM 5% 1/10W 16	
		RN701	EBC41813701	Resistor,Array	MNR14E0APJ4R7 4.7OHM 5% 1/16W	
		RN702	EBC41813701	Resistor,Array	MNR14E0APJ4R7 4.7OHM 5% 1/16W	
		CN601	6630R-FB10L	Connector,FFC/FPC/PIC	00-6232-012-006-800 12P 1.00MM	
		CN602	561-711J	Connector,Wafer	GIL-S-10P-S2T2-EF 10P 2.00MM 1	
		CN611	561-711D	Connector,Wafer	GIL-S-04P-S2T2-EF 4P 2.00MM 1R	
		CN6Y1	561-711B	Connector,Wafer	GIL-S-02P-S2T2-EF 2P 2.00MM 1R	
		JK701	6612K00003D	Jack,Fiber Optic	JST1164 3P TX 2.54MM ANGLE 13.	
		JK702	EAG41396503	Jack,RCA	RCA-707AG-00-01 15.0MM 2RX4C A	
		JK705	EAG40562101	Connector,DSUB	HMR24-AK5F10 HDMI 19P 1.5MM AN	

S	AL	LOCA. NO.	PART NO.	DESCRIPTION	SPECIFICATION	REMARKS
		X601	6212AA2270G	Crystal	HC-49/S 27MHZ 20PPM (SOUTH STA	
		IC602A	SAA33179508	S/W,Firmware	NAD_DV_NV80F72E402MS.ROM DVD-P	
*** Frame Assembly ***						
		A44	ADV32453214	Frame Assembly	DVD DV302H-NE(MTK1389S) CHASSI	
		260	MBS32047605	Chassis	PRESS SECC 0.6 DV302H-NN(NAD)	NSP
		261	MCQ32325001	Damper	CUTTING RUBBER DVD 07 DVD PLAY	
		261A	MEG42830301	Holder	MOLD ABS HF-380 DVD DV300-N MO	
		261B	MEG42830401	Holder	MOLD ABS HF-380 DVD DV300-N MO	
		262	MAZ32047801	Bracket	PRESS SECC 1.0 DVD DV290 PRESS	
		320	MGC35824114	Panel,Rear	PRESS SECC 0.6 DVD DV302H-NE E	
		462	1SZZR-0098J	Screw,Customized	1SZZ0098J BH + 3MM 6.5MM MSWR	
		467	1SZZR-0097N	Screw,Customized	- + 3MM 8MM MSWR FZB SIN JIN	
*** PCB Assembly(SCART & USB) ***						
		A41	EBR50660002	PCB Assembly	08 DVD-P NAD SCART&IR _	
		C305	0CE477CC618	Capacitor,AL,Radial	SMS5.0TP6.3VB470M 470uF 20% 6.	
		C306	0CE477CC618	Capacitor,AL,Radial	SMS5.0TP6.3VB470M 470uF 20% 6.	
		C307	0CE477CC618	Capacitor,AL,Radial	SMS5.0TP6.3VB470M 470uF 20% 6.	
		CABLE2	EAD35665101	Cable,FFC	AT10012060C03 60MM 1.00MM 12P	
		CN801	EAD42070202	Harness,Single	4P-70MM SHIELD (DV398) GIL-S 9	
		F301	0LA0101K018	Inductor,Wire Wound,Axial	LAL02TA1R0K 1UH 10% - 270MA 0.	
		F302	0LA0101K018	Inductor,Wire Wound,Axial	LAL02TA1R0K 1UH 10% - 270MA 0.	
		F303	0LA0101K018	Inductor,Wire Wound,Axial	LAL02TA1R0K 1UH 10% - 270MA 0.	
		JK301	6612M00003B	Jack,Scart	RGB-16B 21P 21P/1C 3.81MM ANGL	
		JK302	6612F00007A	Jack,Phone	PJ-308-01 1P 2P ANGLE TR 3.6MM	
		JK803	EAG35130502	Connector,USB	U250FD004S113BY A 1P 2.00/2.50	
		L301	0LR0102J025	Inductor,Wire Wound,Radial	EL0405RA-100J-3 10UH 5% 0V 353	
		L302	0LR0102J025	Inductor,Wire Wound,Radial	EL0405RA-100J-3 10UH 5% 0V 353	
		P3701	6630R-FB10L	Connector,FFC/FPC/PIC	00-6232-012-006-800 12P 1.00MM	
		P3702	6631R-E108M	Harness,Single	2P-180MM GIL-S 9073ST 180MM 2.	
		Q301	0TR120309AE	TR,Bipolar	SRC1203 NPN 40V - 50V 100MA 50	
		Q301	0TR103009AE	TR,Bipolar	KRC103M(KRC1203) NPN 40V 1V 50	ALTERNATE
		R301	0RD2200F608	Resistor,Carbon Film	RD-96S1J220R 220OHM 5% 1/6W 3.	
		R302	0RD2200F608	Resistor,Carbon Film	RD-96S1J220R 220OHM 5% 1/6W 3.	
		R303	0RD1003F608	Resistor,Carbon Film	RD-96S1J100K 100KOHM 5% 1/6W 3	
		R304	0RD1003F608	Resistor,Carbon Film	RD-96S1J100K 100KOHM 5% 1/6W 3	
		R305	0RD0752F608	Resistor,Carbon Film	RD-96S1J75R0 75OHM 5% 1/6W 3.2	
		R306	0RD1003F608	Resistor,Carbon Film	RD-96S1J100K 100KOHM 5% 1/6W 3	
		R307	0RD1001F608	Resistor,Carbon Film	RD-96S1J1K00 1KOHM 5% 1/6W 3.2	
		R308	0RD1001F608	Resistor,Carbon Film	RD-96S1J1K00 1KOHM 5% 1/6W 3.2	